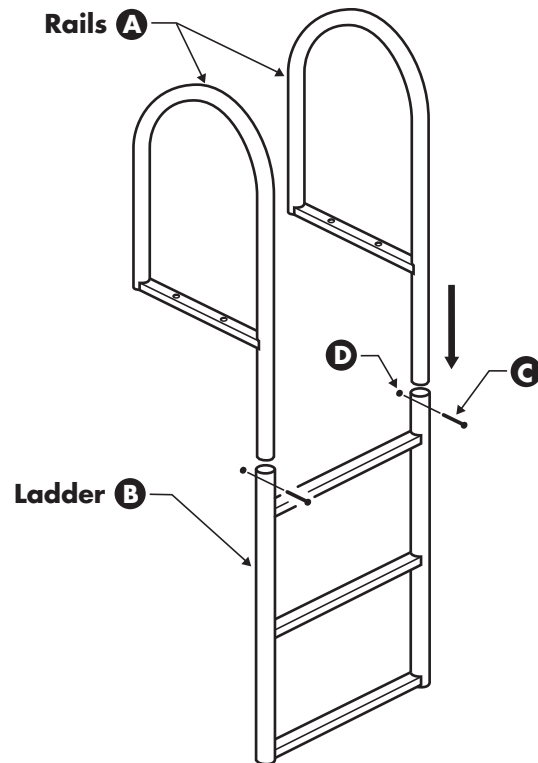


# ASSEMBLY AND INSTALLATION INSTRUCTIONS

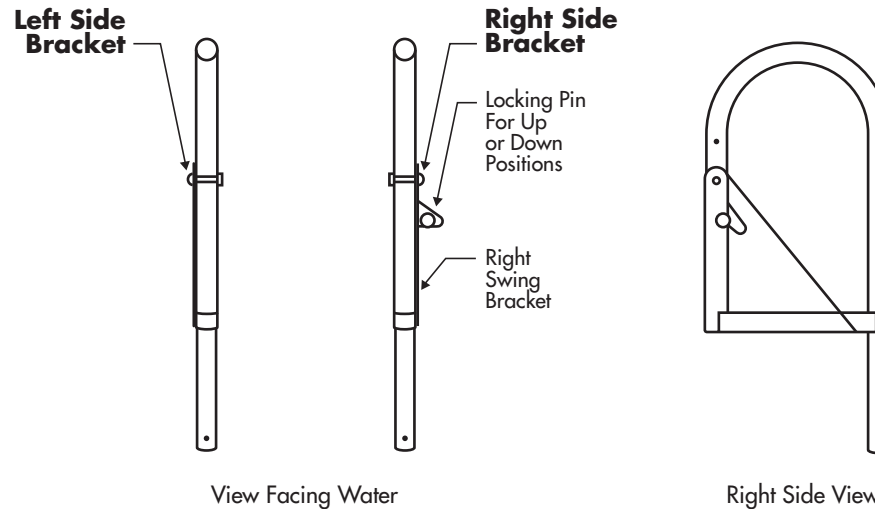
- **DJV** DOCK LADDER
- **DJW** DOCK LADDER

**Fig. (A) Straight Ladder**



**Fig. (B) Swing Ladder**

## Rails A With Swing Brackets



1. Insert RAILS **A** into LADDER **B**. Do not turn the RAILS when inserting, they should slide straight and freely.
2. Line up the drilled holes in Rail **A** to Ladder **B**.
3. Insert the supplied Bolts **C** so that the heads of the bolts are on the inside of the Ladder (**B**).
4. Attach Nuts **D** and Tighten.
5. Install assembled ladder using 1/2" stainless steel or hot dipped galvanized bolts or screws appropriate to the application (not supplied).

## **SAFETY** Any ladder can be dangerous if installed or used improperly

- ALWAYS**
- Face ladder when going up or down
  - Step in the center of ladder steps, not on either side
  - Restrict use of the ladder to one person at a time
  - Check all steps and hardware before using
  - Keep fingers and toes clear of pinch points
  - Avoid diving or jumping from ladder