

T10260 TRAC® Fluke Anchor Davit, Fixed

T10261 TRAC® Fluke Anchor Davit, Tilting

Overall Dimensions

Item Number	Product Description	Overall Length	Length from End to Roller	Width
T10260	Fluke Anchor Davit, Fixed	19 1/2"	16 5/16"	3 3/8"
T10261	Fluke Anchor Davit, Tilting	21"	17 1/2"	3 3/4"

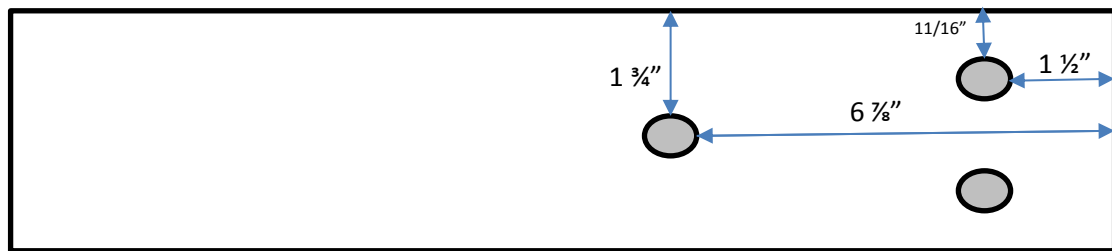
Installation Instructions

1. Place davit on boat and use davit as a template for making bolt holes.
2. Align davit with center of winch rope spool, or rope guide if one is used.
3. Position anchor in davit to make sure the flukes do not contact the boat hull during anchor stow and deploy.
4. Mark bolt holes making sure there is adequate clearance under the deck to attach nuts.
5. Drill holes
6. Bolt to deck.

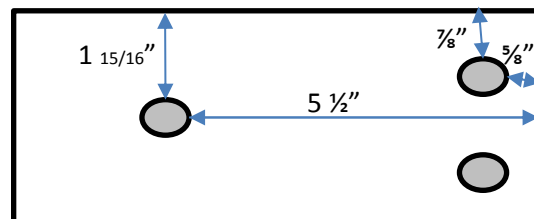
Mounting Hole Patterns

*Drawings not to scale

T10260 – Fixed

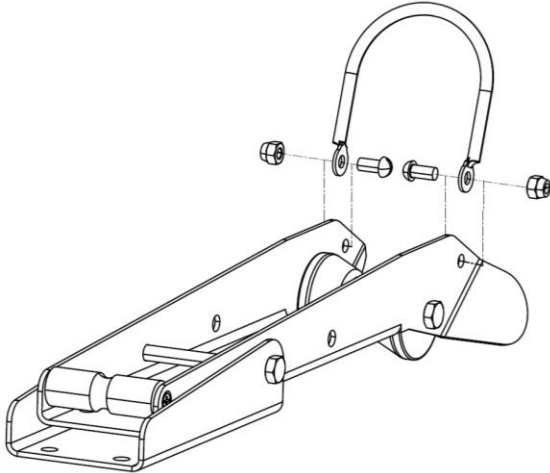


T10261 – Tilting



Bail Assembly

Assembly of the BAIL (shown here) is required for safe use of this davit.



TRAC Limited Warranty

This limited warranty is provided by TRAC Outdoor Products Co (TRAC) to the original consumer purchaser (purchaser) of this TRAC product. This limited warranty is not transferable to any other party. TRAC will at its option repair or replace any part(s) of the TRAC product which may be found by TRAC to be defective within two (2) years of purchase. TRAC will pay the shipping charge to the purchaser for any part(s) which may be shipped by TRAC. For warranty repair or replacement, the purchaser must provide dated proof of purchase and notify TRAC of the request for warranty service. The purchaser will notify TRAC by email at info@TRAC-Outdoor.com or by phone at 615-641-2542 for warranty service. TRAC will attempt to provide parts needed. If the product is to be returned, purchaser will be provided a Return Goods Authorization (RGA) number to include with any return for warranty service which will be shipped at the purchaser's expense to TRAC Warranty Dept., 6039 Dana Way, Antioch, TN 37013. The purchaser must use reasonable care in maintenance and operation of the product in accordance with this manual. Failure to follow the instructions in the manual will void the warranty. This warranty covers defects in material or workmanship of the TRAC product. This warranty does not cover failure that results from misuse, improper installation, accident, abuse, neglect, modification, or improper maintenance. This pump is intended for removal of spray, rain water, and normal accumulation of water due to seepage and spillage on a seaworthy watercraft. There is no other express warranty. Implied warranties, including those of merchantability and fitness for a particular purpose, are limited to two (2) years from the date of purchase. Costs of installation or repair by service centers or marine repair facilities are not covered by this warranty. This is the exclusive remedy and any liability for any and all incidental or consequential damages or expenses whatsoever is excluded. Some states do not allow limitations on how long an implied warranty lasts, or do not allow exclusion or limitation of incidental or consequential damages, the above limitations may not apply to you. This limited warranty gives you specific legal rights, and you may also have other rights which vary from state to state.