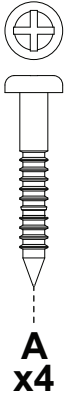
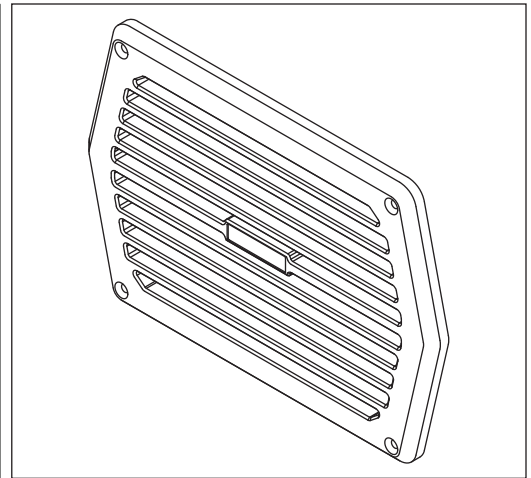
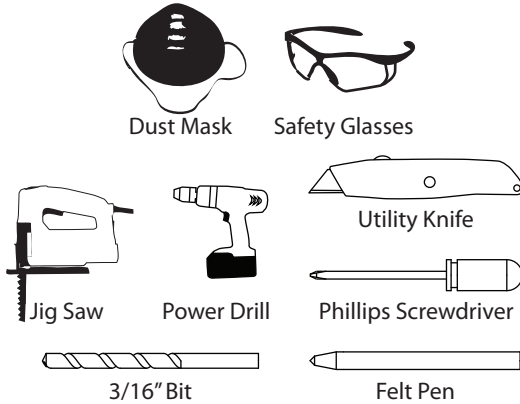


HARDWARE



TOOLS REQUIRED



Installing a compartment vent in your boat can be tricky. Please ensure you are comfortable with the process before proceeding, otherwise Roswell recommends finding someone who has experience to help. Roswell assumes no liability from any damage resulting from the improper installation of this vent.

A Locate a suitable area to mount the compartment vent in your vessel. Ensure the area is large enough to evenly mount the vent grill and that the area behind the mounting area is spacious enough to allow proper fit and air flow.

B Tape the template to the desired mounting surface. Then carefully cut and peel back any carpet on the inside away from the compartment to avoid catching on the saw.

C First, using a 3/16" bit, drill the 4 screw holes. Then using a bit with a diameter at least as wide as the jig saw blade you intend to use, drill inside each corner of the vent (this will make the corners easier to cut). Then using a jig saw carefully cut along the dotted line. Discard cutout piece.

D Using a phillips screwdriver fasten all 4 screws with the provided nylock nuts.