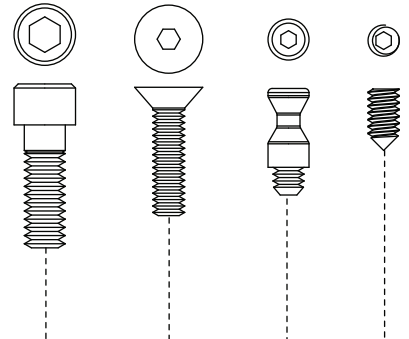
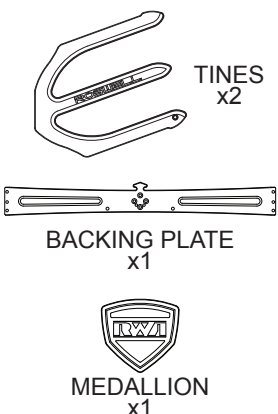

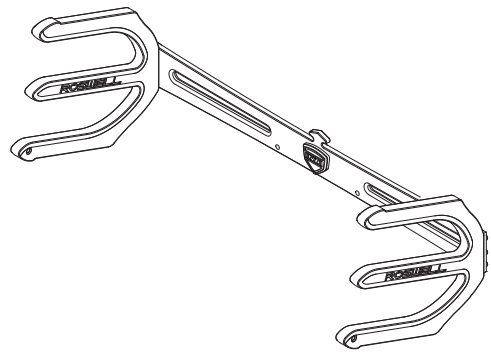
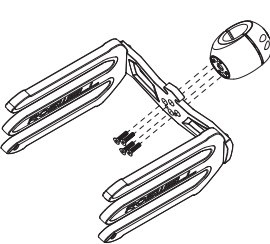
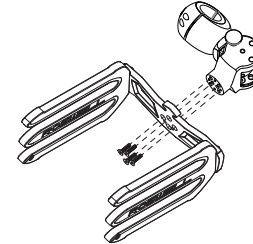
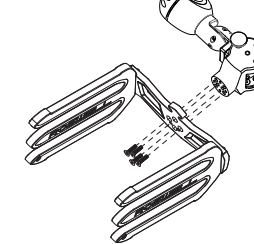
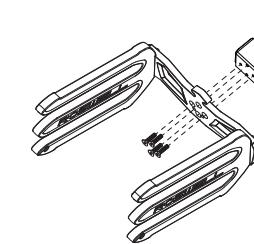
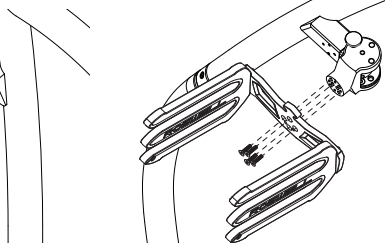


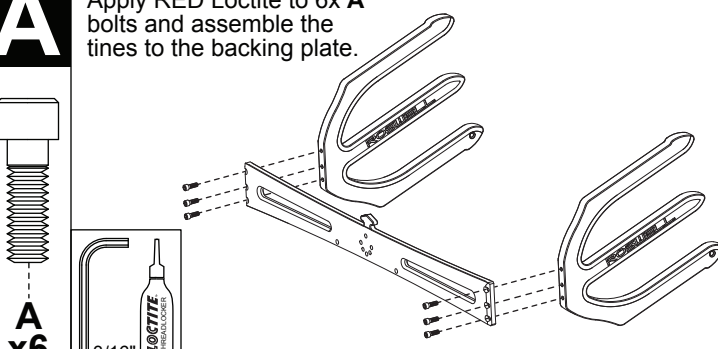
RACK HARDWARE	PARTS	TOOLS REQUIRED	
 <p>A x6</p> <p>B x4</p> <p>C x2</p> <p>D x2</p>	 <p>TINES x2</p> <p>BACKING PLATE x1</p> <p>MEDALLION x1</p>	 <p>3/16" Allen Key 5/32" Allen Key 3/32" Allen Key</p>	

**** BOARD RACK BUNGEE CORD NOT ILLUSTRATED FOR IMAGE CLARITY ****

Below are the recommended mounting options for Roswell Board Racks.
Installation instructions available with respective mounting products.

 <p>Universal Clamp</p>	 <p>Swivel & Clamp</p>	 <p>Swivel, Adaptor, & Clamp</p>	 <p>Fixed Tower Mount</p>	 <p>Swivel Tower Mount</p>
--	--	--	--	--

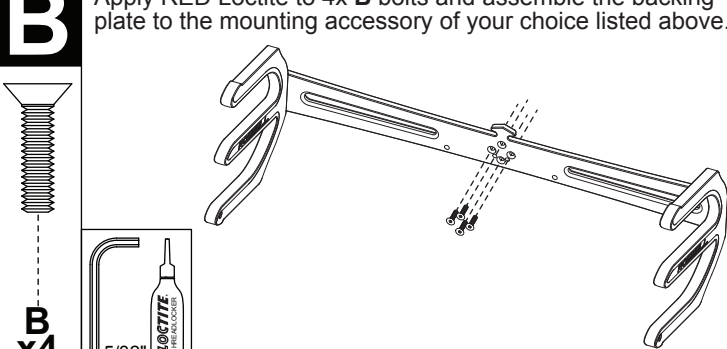
A Apply RED Loctite to 6x **A** bolts and assemble the tines to the backing plate.



A
x6

3/16" Loctite Threadlocker RED

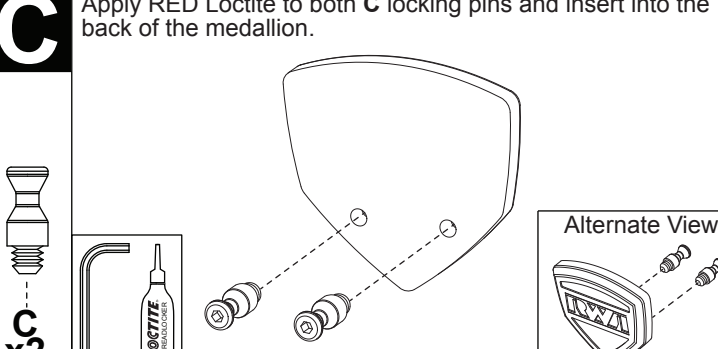
B Apply RED Loctite to 4x **B** bolts and assemble the backing plate to the mounting accessory of your choice listed above.



B
x4

5/32" Loctite Threadlocker RED

C Apply RED Loctite to both **C** locking pins and insert into the back of the medallion.

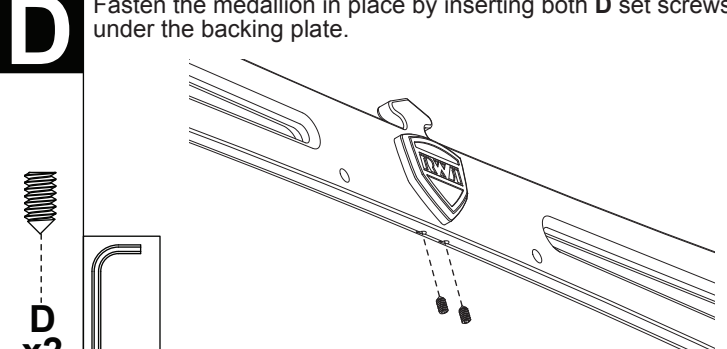


C
x2

3/32" Loctite Threadlocker RED

Alternate View

D Fasten the medallion in place by inserting both **D** set screws under the backing plate.



D
x2

3/32"

