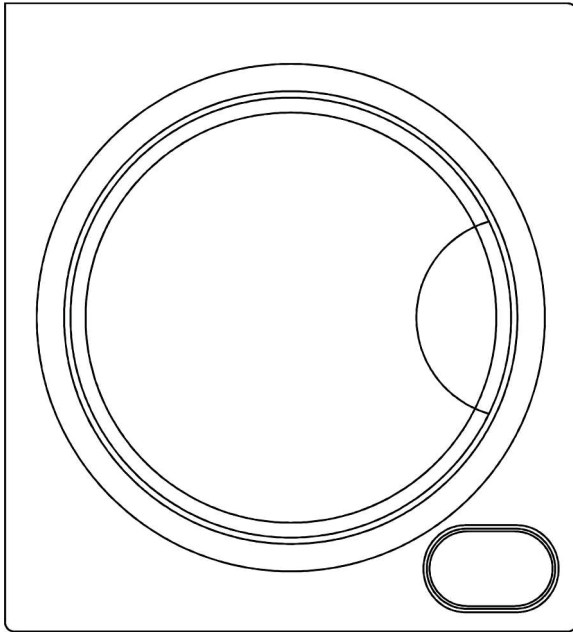


# *Compact Shot Dryer*

**Model - 852**



## **OWNER'S MANUAL**

---

Please read the instructions carefully and keep for future reference. Information may be updated from time to time so please refer to the website for the latest version of the manual.



# WARRANTY INFORMATION

**Your appliance is protected by this warranty under normal, personal, family or household use for 1 Year Parts & Labor and limited commercial use (90 days) in USA and Canada.**

## WARRANTY

---

Consolidated Brands undertakes to the consumer/owner to repair or, at our option, to replace any part of this product which proves to be defective in workmanship or material under normal personal, family or household use in USA and Canada, for a period of one years parts & labor from the date of original purchase. For commercial use, the product is warranted for a period of 90 days.

During this period, we will provide all labor and parts necessary to correct such defect, free of charge, if the appliance has been installed and operated in accordance with the written instructions provided with the appliance. Ready access to the appliance, for service, is the responsibility of the consumer/owner. If unit installed in closet or cabinet, it should be removed for access by service technician. If this cannot be done, then there will be extra charge.

We may require return of products or parts to our warranty department for which the shipping charges are to be incurred by the consumer. If a return or replacement is required, allow 3-4 weeks to process. If unit is located more than 25 miles there will be a trip charge. If unit is in remote area more than 75 miles, customer will need to take the product to the technician's workshop. Replacement unit will be delivered with curb side delivery only. If Unit is installed in a 5th wheel RV, in a location behind the axle it won't be covered under warranty.

All repairs or replacements are warranted only for the remainder of the original warranty period. Charges may incur if warranty coverage is not applicable. Service would be provided from Monday to Friday between normal business hours.

## GENERAL

---

Since it is the responsibility of the consumer/owner to establish the warranty period by verifying the original purchase date, Consolidated Brands recommends that a receipt, delivery slip or some other appropriate payment record be kept for that purpose. This warranty gives you specific legal rights, and you may also have other rights which vary from State to State.

You can register your warranty by either of following methods:

1. Scan the QR Code
2. Online at: [ApplianceDesk.com/Warranty](http://ApplianceDesk.com/Warranty)

QR Code



1. Open Smart Phone
2. Open Camera
3. Scan QR Code
4. Click the Link

## WARRANTY SERVICE

---

This warranty is given by:

**Consolidated Brands**  
**10222 Georgibelle Drive, Suite 200,**  
**Houston, TX 77043-5249**

### QUESTIONS / SERVICE

Phone/Text: 1-800-776-3538

Email: [Service@ApplianceDesk.com](mailto:Service@ApplianceDesk.com)

Web: [www.ApplianceDesk.com](http://www.ApplianceDesk.com)

## EXCLUSIONS

---

In no event shall Consolidated Brands be liable for incidental or consequential damages or for damages resulting from external causes such as abuse, operation misuse, neglect, alterations, normal wear and tear, incorrect voltage or acts of God. This warranty does not cover service calls which involve defective workmanship, damage due to other products while combined use with this product or materials covered by this warranty. Accordingly, diagnosis and repair costs for a service call which involves defective workmanship or materials will be the responsibility of the consumer-owner.

Most work is covered. The defining factor is has the machine malfunctioned (Consolidated Brands is responsible) or has the customer omitted or done something to cause malfunction (customer is responsible).

### THE FOLLOWING WORK ARE NOT COVERED UNDER WARRANTY

#### Installation

1. Non-removal of shipping bolts, causing vibration / internal damage.
2. Non-adjustment of feet to level machine, causing vibration / internal damage.
3. Non-removal of exhaust vent plate at the back while using Venting Dry mode, causing excess heat and resulting in damage to internal components.
4. Using incorrect length of venting i.e. more than 10 feet unless used with a booster fan.
5. Not conforming to minimum space requirements for built-in installation, causing excess heat and resulting in damage to internal components.
6. Installation in a corrosive environment.
7. Incorrect water pressure i.e below 7.25 psi or above 145 psi
8. Incorrect water inlet hose installation (use only factory supplied hoses with metric threads on the L shaped side to fit water valve)

#### Maintenance

1. Non-cleaning of coin trap for debris, causing the unit to not drain out water and resulting in drain pump malfunction.
2. Non-cleaning of vent fan & exhaust hose for lint, causing the unit to not dry properly.
3. Improper maintenance (such as, but not limited to, scale build-up, freeze damage, or vent blockage).

#### Damage

1. Breakage of cosmetic parts e.g., door handle, knob.

#### Other

1. Accident, abuse or misuse.
2. Using solvents to clean the machine or wash clothes, causing damage.
3. Misapplication of this product e.g., use in a non household/commercial environment.
4. Any other cause not due to defects in materials or workmanship.
5. Problems or damage due to fires, flooding, electrical surges, freezing or any acts of God.
6. Any damage caused by poor water quality.
7. Operating the appliance with anything other than potable water at all times.
8. Force majeure.

## **Warranty Limitations**

1. If a unit is located more than 25 miles away, there will be a trip charge.
2. If a unit is in a remote area more than 75 miles away, the machine should be taken to the technician's workshop.
3. If the unit is installed in a 5th wheel RV, in a location behind the axle, it will not be covered under warranty.
4. All repairs or replacements are warranted only for the remainder of the original warranty period.
5. If a return or replacement is required, allow 3-4 weeks to process.
6. Replacement units will be delivered with curbside delivery only.
7. We may require the return of products or parts to our warranty department for which the shipping charges are to be pre-paid by the consumer / owner.
8. Charges may be incurred if warranty coverage is not applicable.
9. Service would be provided from Monday to Friday between normal business hours.

## **GENERAL**

---

Since it is the responsibility of the consumer / owner to establish the warranty period by verifying the original purchase date, Consolidated Brands recommends that a receipt, delivery slip or some other appropriate payment record be kept for that purpose. This warranty gives you specific legal rights, and you may also have other rights which vary from state to state.

All rights reserved. Manual subject to change without notice.

### **California Proposition 65**

**WARNING:** This product contains chemical known to the State of California to cause cancer and birth defects or other reproductive harm.

# Important Safeguards

**When using electrical appliances, in order to reduce the risk of fire, electric shock, and/or injury to persons, basic safety precautions should always be followed, including:**

## *For Your Safety*

**Read all instructions carefully, even if you are quite familiar with the appliance.**

- This appliance is not intended for use by persons (including children) with reduced physical, sensory or mental capabilities, or lack of experience and knowledge, unless they have been given supervision or instruction concerning use of the appliance by a person responsible for their safety.
- Do not allow children to play on or in the appliance. Close supervision of children is necessary when the appliance is used near children.
- **INDOOR USE ONLY** – this appliance is not intended for outdoor use.
- Do not place naked flame sources, such as candles, on the appliance.
- Do not locate the appliance or cord near heat sources such as radiators, heaters, air ducts or direct sunlight.
- Do not block any of the ventilation openings. Ensure that vents are not covered by newspapers, tablecloths, curtains, etc.
- Do not run the cord under floor coverings. Instead, arrange the cord away from traffic areas where it will not become a trip hazard.
- To disconnect the appliance, turn the appliance off, switch off the power outlet and remove the plug from the power outlet.
- Do not misuse the cord. Never carry the appliance by the cord or pull to disconnect it from the outlet. Instead, grasp the plug and pull to disconnect.
- Do not operate the appliance if it has a damaged cord or plug; after the appliance malfunctions; or has been dropped or damaged in any way. Consult the manufacturer.
- Do not attempt to repair, disassemble or modify this appliance. The warranty becomes void if not serviced or repaired by a qualified person.
- Do not reach into the appliance if the drum is moving.
- Do not place items that have been soiled with flammable liquids inside the dryer without washing them with detergent thoroughly before hand.
- Do not excessively bend, stretch, twist or bind the power cord or place heavy objects on it.
- This appliance is only to be serviced by a qualified person. There are no user-serviceable parts inside.
- Do not install in a tight fitting cabinet.
- Do not overload the tumble dryer.
- Do not dry articles that have been previously cleaned in, washed in, soaked in, or spotted with gasoline, dry-cleaning solvents, or other flammable or explosive substances, as they give off vapours that could ignite or explode.
- Before the appliance is removed from service or discarded, remove the door to the drying compartment.
- Do not install or store this appliance where it will be exposed to the weather.
- Do not tamper with controls.
- Do not repair or replace any part of the appliance or attempt any servicing unless specifically recommended in the user-maintenance instructions or in published user-repair instructions that you understand and have the skills to carry out.
- Do not use fabric softeners or products to eliminate static unless recommended by the manufacturer of the fabric softener or product.
- Do not use heat to dry articles containing foam rubber or similarly textured rubber-like materials.
- Keep area around the exhaust opening and adjacent surrounding areas free from the accumulation of lint, dust, and dirt.
- The interior of the appliance and exhaust duct should be cleaned periodically by qualified service personnel.
- Do not place items exposed to cooking oils in your dryer. Items contaminated with cooking oils may contribute to a chemical reaction that could cause a load to catch fire.
- Ensure foreign objects do not find their way into the tub of the tumble dryer.
- Clean lint screen before or after each load.



- Oil-affected items can ignite spontaneously, especially when exposed to heat sources such as in a tumble dryer. The items become warm, causing an oxidation reaction in the oil. Oxidation creates heat. If the heat cannot escape, the items can become hot enough to catch fire. Piling, stacking or storing oil-affected items can prevent heat from escaping and so create a fire hazard.

- If it is unavoidable that fabrics that contain vegetable or cooking oil or have been contaminated by hair care products be placed in a tumble dryer they should first be washed in hot water with extra detergent - this will reduce, but not eliminate, the hazard.
- Do not dry unwashed items in the tumble dryer.
- Items that have been soiled with substances such as cooking oil, acetone, alcohol, petrol, kerosene, spot removers, turpentine, waxes and wax removers should be washed in hot water with an extra amount of detergent before being dried in the tumble dryer.
- Fabric softeners, or similar products, should be used as specified by the fabric softener instructions.
- The final part of a tumble dryer cycle occurs without heat (cool down cycle) to ensure that the items are left at a temperature that ensures that the items will not be damaged.
- **WARNING:** Never stop a tumble dryer before the end of the drying cycle unless all items quickly removed and spread out so that the heat is dissipated.



Caution, danger

**This dryer can not be used upside down**

## WARNING

-Risk of Fire

Clothes dryer installation must be performed by a qualified installer.

Install clothes dryer according to the manufacturers instructions and local codes.

Do not install a clothes dryer with flexible plastic venting materials. If flexible metal (foil type) duct is installed, it must be of a specific type identified by the appliance manufacturer as suitable for use with clothes dryers. Flexible venting materials are known to collapse, be easily crushed, and trap lint. These conditions will obstruct clothes dryer airflow and increase the risk of fire.

To reduce the risk of severe injury or death, follow all Installation instructions.

Connect To Individual Branch Circuit.

This appliance must be grounded. In the event of malfunction or breakdown, grounding will reduce the risk of electric shock by providing a path of least resistance for electric current. This appliance is equipped with a cord having an equipment-grounding conductor and grounded in accordance with all local codes and ordinances.

## WARNING

- Improper connection of the equipment-grounding conductor can result in a risk of electric shock. Check with a qualified electrician or service representative or personnel if you are in doubt as to whether the appliance is properly grounded. Do not modify the plug provided with the appliance: if it will not fit the outlet, have a proper outlet installed by a qualified electrician.

It must be placed on firm horizontal ground. Do not place the dryer on carpet as this will block the intake. There should be at least 10cm between the dryer and the walls.

## **BUILT-IN, RECESSED, CLOSET AND ALCOVE INSTALLATION**

The Dryer may be installed in a built-in, recessed area, closet or alcove.

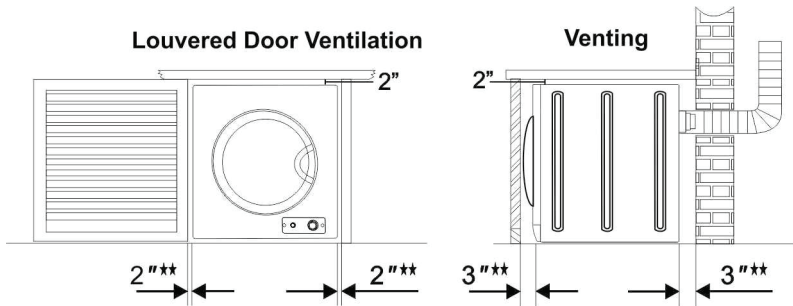
- The installation spacing is in inches and is the minimum acceptable.
  - Other installation must use the minimum dimensions indicated.
  - Minimum clearance between dryer cabinet and adjacent walls are: 2" either side and 3" front and rear.
  - Minimum vertical space from floor to overhead cabinets, etc. is 52" (132 cm).
  - Closet door must be louvered or otherwise ventilated and must contain a minimum of 60 sq.in. of open area equally distributed. If closet contains both a washer and a dryer, doors must contain a minimum of 120 sq.in. of open area equally distributed.
  - No other fuel-burning appliance shall be installed in the same closet with the dryer.
- ★ Additional clearances for wall, door and floor moulding may be required.
- ★★ Additional space is needed when an external exhaust elbow is used.

**NOTE:** If a door is installed that potentially encloses the unit while running, the door must allow for a minimum of 20 square inches of free air movement. There must also be a 1" additional space in front of the unit to the closed door and 1" from back of the unit to the wall. Additional spacing should be considered for easy installation, servicing, and compliance with all applicable local, state, and federal codes.



## Cutout Dimensions

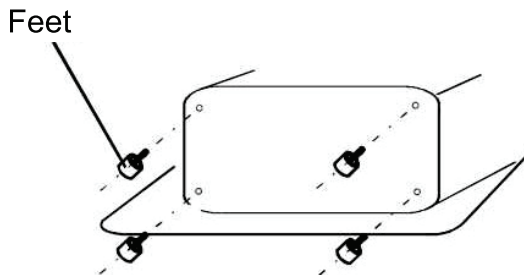
Cutout Height – 28.5 inches  
Cutout Width – 27.5 inches  
Cutout Depth – 27.5 inches



## Placement

Place the dryer in dry ventilated area. It should be positioned away from the heat and direct sunlight.

The dryer comes with feet that need to be attached to ensure stability.








If the dryer is rack mounted, a secure bracket is required to ensure stability and prevent vibration. At least 2 inches (5 cm) between the dryer and walls is required. (The bracket is not included).

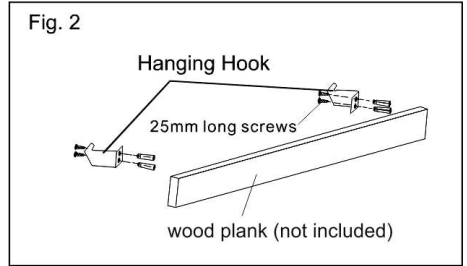
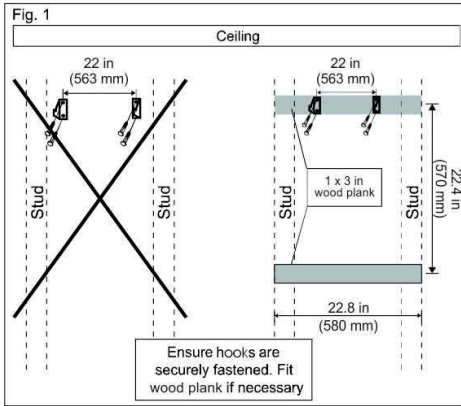
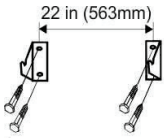
# Wall Mounting Instructions

1. Determine and mark the dryer position on the wall. This dryer is not suitable to be placed directly on top of a washing machine.
  - A minimum 2 in (50 mm) is needed between the top of dryer and the ceiling for ease of installation.
  - If mounting on top of a washing machine, allow sufficient room to open the lid of the washer.

Tools required		
Tools and parts required for plaster/wood	Drill and 3 mm bit	1
	Phillips head screw driver	1
	Wood screws $\varnothing 12X$ 50 mm wood plank screws	4
	Helper to lift dryer onto wall	1

Wall Mounting Kit includes			
Description	Hanging Hook (Top)		2
	Spacer (Bottom)		2
	Exhaust Connector		1
	12 mm long screws		4
	25 mm long screws		4

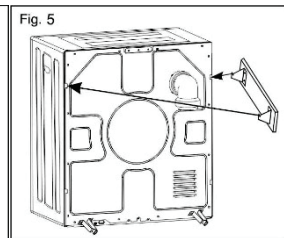
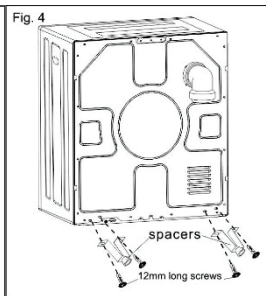
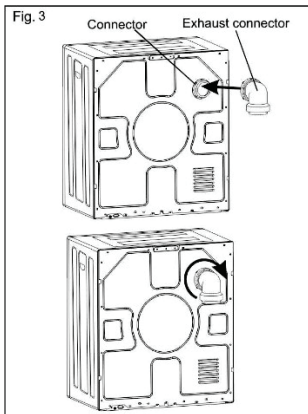
2. Fix the wall hanging hooks (2 supplied) to the wall securely (eg. into the stud). Fit a wood plank between the studs to mount the brackets onto if the stud position is too wide.
3. To install the hanging hook to wood plank, start at Fig. 2
4. Align hanging hooks and fasten screws tightly.
5. Please adjust the exhaust connector direction, then match the exhaust connector onto the connector. Please refer to Fig. 3.



6. Turn the exhaust connector clockwise, until it inserts into the connector's groove.

7. Using 4x12 mm screws (provided), fix the 2 spacers as per Fig. 4.

8. With assistance, mount the dryer on wall hooks. See Fig. 5.



The appliances shall not be exhausted into a chimney, wall, ceiling, attic, crawl space, or a concealed space of a building.

Only flexible or rigid metal duct shall be used for exhausting.

In Canada, only those foil-type flexible ducts, if any, specifically identified for use with the appliance by the manufacturer shall be used. In the United States, only those foil-type flexible ducts, if any, specifically identified for use with the appliance by the manufacturer and that comply with the outline for the Clothes Dryer Transition Duct, subject to 2158A, shall be used.

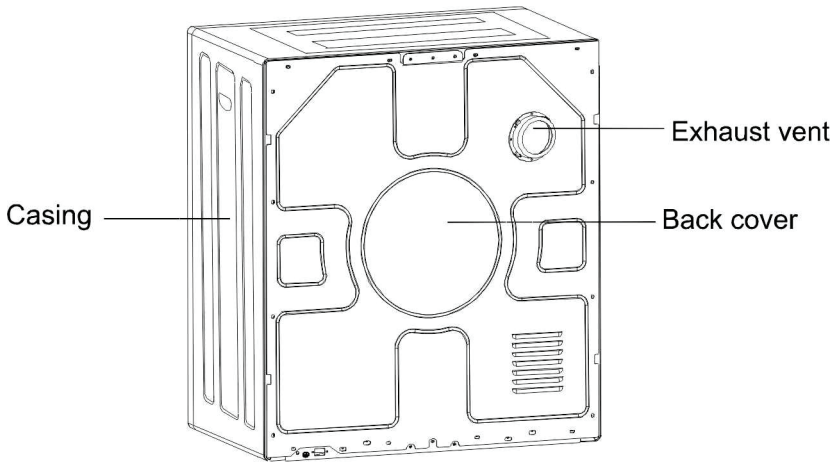
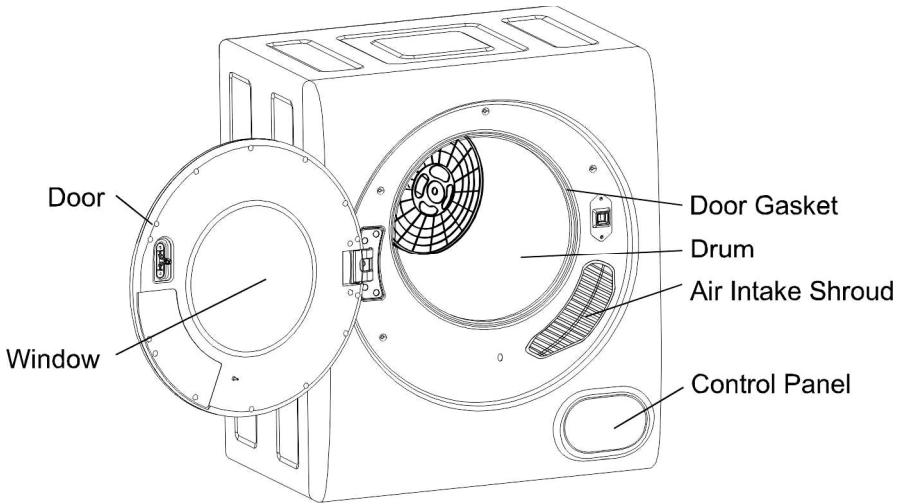
In Canada, the exhaust duct shall be 4 in (102 mm) in diameter. In the United States, use the required exhaust duct diameter.

The total length of flexible metal duct shall not exceed 8 ft (2.4 m).

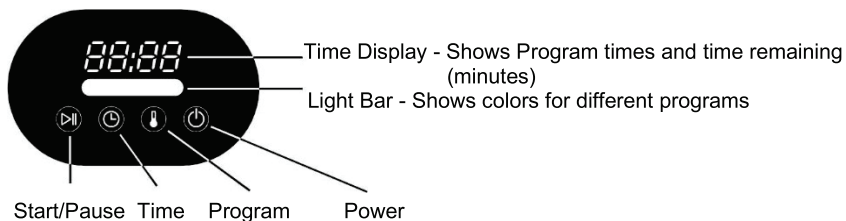
The duct shall not be assembled with screws or other fastening means that extend into the duct and catch lint.

**Installation of the dryer must be done by a qualified technician.**

# PARTS AND FEATURES



# Control Panel Functions



Color	Program	Display
Red	Time Dry: High Heat	150
Light Blue	Sensor Dry: High Heat	200
Dark Blue	Sensor Dry: Air + High Heat	ECO
Green	Time Dry: Half Heat	90

## Step 1 - Power Button

When the power cord is connected to the socket, the Power button is slightly lit, and you can see the location of the Power button. After touching the Power button, other buttons and descriptions on the control panel appear.

## Step 2 – Program Button

This button is used to select a drying program. When you press the Program button, it first shows red on the light bar. Each time you press it, will show a different color for each of the 4 programs.

Each of the drying programs is described below:

a) Red: The dry cycle runs at high heat and the default time is 150 minutes. The time can be changed by pressing the Time button. This program is best for drying a heavy load.

b) Light Blue: The dry cycle runs at high heat and the default time is 200 minutes. This program works with a sensor and will adjust the time automatically and will stop when the clothes are dry. The time cannot be changed in this program.

c) Dark Blue: This program is the “ECO” cycle which runs intermittently with no heat and then high heat. This program works with a humidity sensor and will adjust the time automatically. The time cannot be changed in this program.

d) Green: The dry cycle runs at half heat and the default time is 90 minutes. The time can be changed by pressing the Time button. This program is best for drying a light to normal load and if you want clothes to be damp dry for ironing or for hanging up to dry.

Note: This button is inactive during the operation of the dryer. To change the program, touch the “Start/Pause” button to pause the dryer before touching this button to change the drying program.

### **Step 3 - Time Button**

This button is used to set the drying time. With each press of the button, the time increases in 20-minute increments, up to 200 minutes. To change the time once the drying program is running, press the Start/Pause button, make the time change, and then press Start/Pause again to restart.

### **Step 4 - Start/Pause**

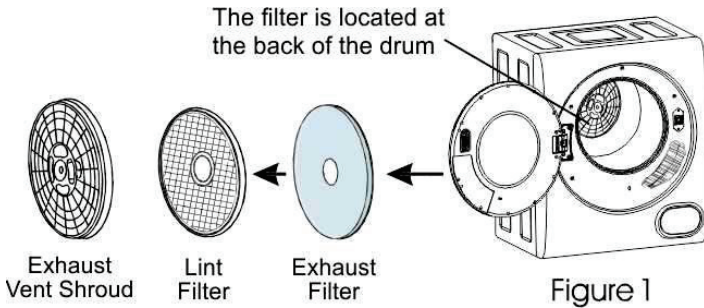
Press this button to start or pause the dryer operation. When the program and time are set, touch the button to start the dryer. To change the time or program while the dryer is running, touch this button to pause. Select the desired program and then press this button again to restart.

# Maintenance

Please unplug the power cord prior to any cleaning. The Lint Filter must be in place whenever drying. It must be cleaned before each use. The Filter assembly is located at the back of the drum.

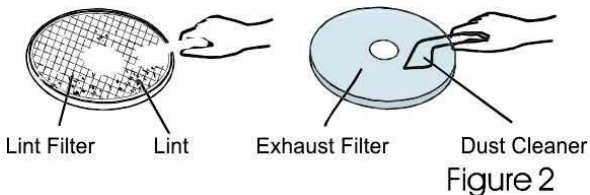
## 1. Removing the Filters

Remove by pulling outwards, with fingers inserted into the four holes around the Exhaust Vent shroud. The Filter is in 3 parts: Exhaust Vent Shroud, Lint Filter and Exhaust Filter (as shown in Figure 1).



## 2. Cleaning the Filters

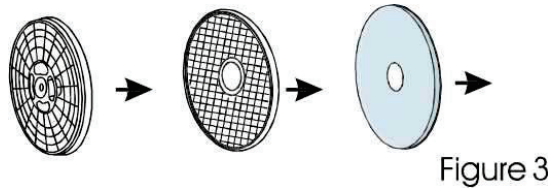
Separate Exhaust Vent Shroud, Lint Filter and Exhaust Filter. Clean the lint on the Lint Filter and Exhaust Filter with a soft brush or vacuum cleaner (as shown in figure 2). Do not damage the filters.





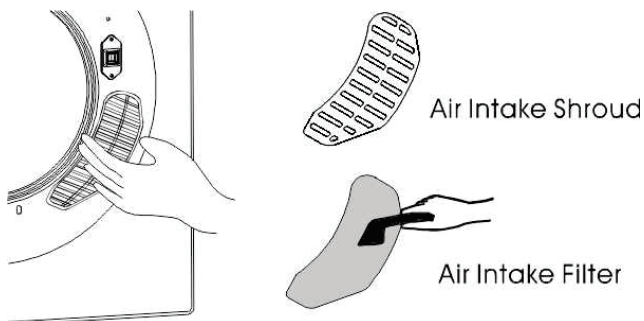
### 3. Re-installing the Filters

After cleaning, assemble in the sequence of Exhaust filter - Lint Filter - Exhaust Vent Shroud. Align the recesses in the center with the projection in the center of the drum. Ensure that it is firmly inserted (as shown in Figure 3).



### Cleaning the Air Intake Filter

The Filter should be cleaned occasionally. Remove by holding and pulling out the upper and lower ends of the Air Intake Shroud. Slightly push upwards with your thumb until the latch hook disconnects, then remove gently. Remove the Filter inside and clean it with a soft brush. Reassemble and install as before.



## Cleaning the interior & exterior of the Dryer

Do not wash directly with water.

Do not use thinner, gasoline or alcohol.

Do not use any type of spray cleaner when cleaning the interior. If dryer drum becomes stained, clean the drum with a damp cloth. Remove any residue before drying the next load. Clean cabinet with mild soap and water. Do not use harsh or abrasive cleaners, as this could damage the dryer.

## Operating the Dryer and Drying Tips

- Shake out and load items in the dryer one at a time to ensure even drying.
- Do not overload to ensure adequate air flow to dry clothes.
- Some items may need to be turned inside out to prevent damage to buttons, etc.
- Fasten buckles and straps to prevent metal from banging on the inside of the drum.
- Check pockets for coins and loose items.
- Place small or delicate items in a mesh bag.
- Check labels to ensure that clothing can be dried in a dryer.

## Technical Specifications

Model	852
Drying Capacity	13 lbs
Voltage	120 v – 60 Hz
Rated Input	1500 W
Net Weight	55 lbs
Dimensions (HxWxD)	28" x 24" x 22"

Please dispose off this appliance in accordance with local regulations.

## Troubleshooting

Review the following before calling for service.

Problem	Possible Cause	What to do
Control Panel does not work	Is the power cord inserted firmly?	Insert the power cord firmly.
Drum does not turn	Is the door closed? Is the power cord inserted? Does the electrical socket have power?	Close the door. Insert the power cord firmly. Check the power cord socket.
Hot air is not blowing out	Is the drying program set on ECO, which has no heat during part of the cycle?	Set the dry program for high heat or half heat.
The laundry is not thoroughly dried	Are the front and back filters clogged? Is there too much laundry in the dryer? Have items been added while the dryer is in operation? Has the laundry become twisted while drying? Has the dryer been placed in a poorly ventilated area?	Clean the filter. Reduce the amount of clothes in the dryer. Dry items again. Untwist the items and dry as needed. Place the dryer in a well-vented area. Use High Heat program and increase dry time.
Dryer does not start	Is there a power failure? Is the power cord inserted firmly? Is the door closed? Has the Start/Pause button been pressed?	Try again when there is power. Insert the power cord firmly. Close the door. Press the Start/Pause button, after selecting the dry program and time.

### ERROR CODE

E1 Temperature sensor

E2 Humidity sensor

E3 Temperature & Humidity sensor

Dryer replaceable parts can be ordered online:

<b>Part Position</b>	<b>Part Number</b>	<b>Part Name</b>
47	85047	Feet (set of 4)
50	85050	Inlet Filter (Air Intake Filter) – Paper
51	85051	Inlet Filter Cover (Air Intake Shroud) – Plastic
57	85057	Exhaust Vent Shroud – Plastic
58	85058	Lint Filter – Plastic
59	85059	Exhaust Filter - Paper

NOTE: Consistent with our continuing product development policy, improvements may have been made which render the contents of this package slightly different to that shown.