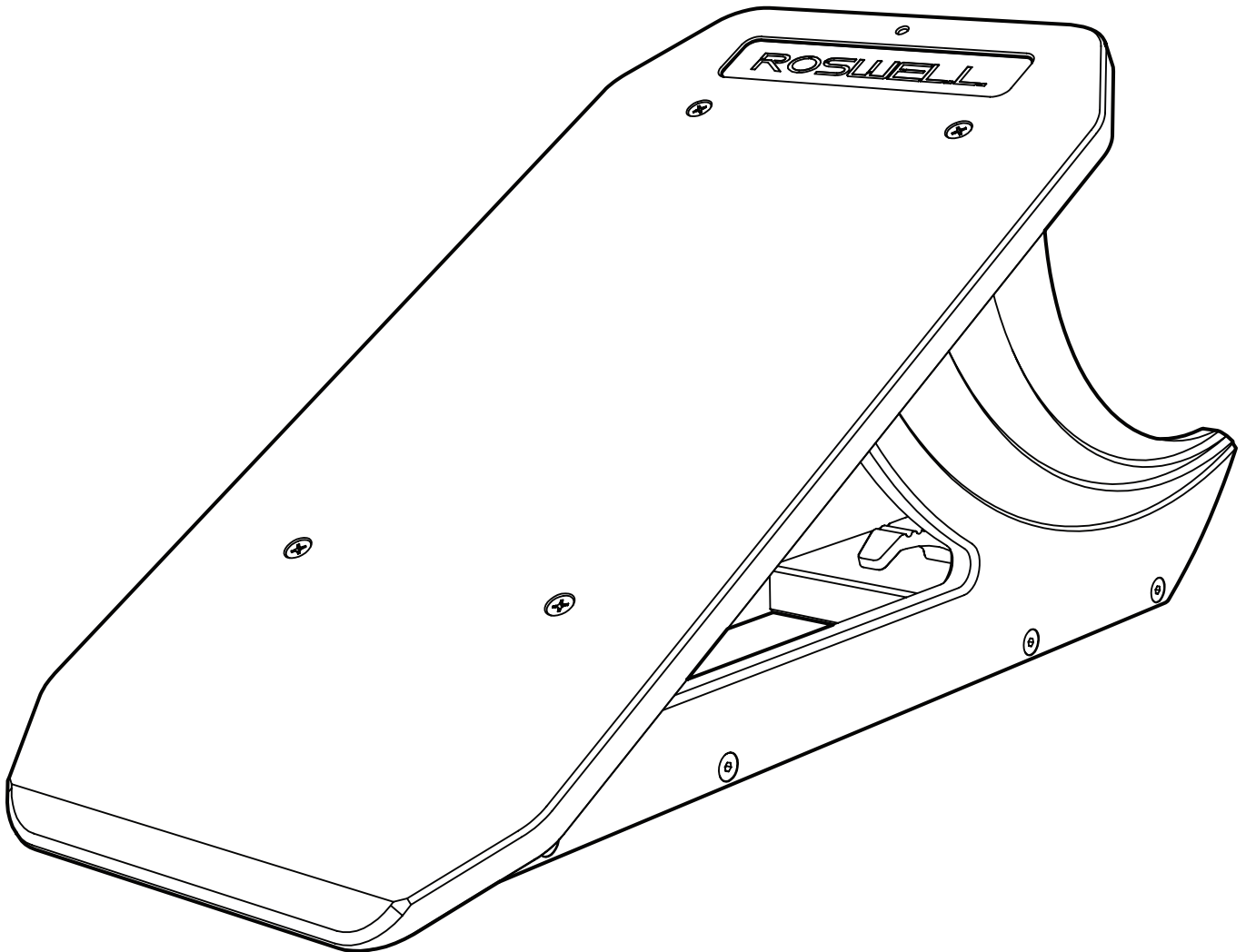


ROSWELL.

www.roswellmarine.com

DEFLECTOR

Installation & Usage Instructions



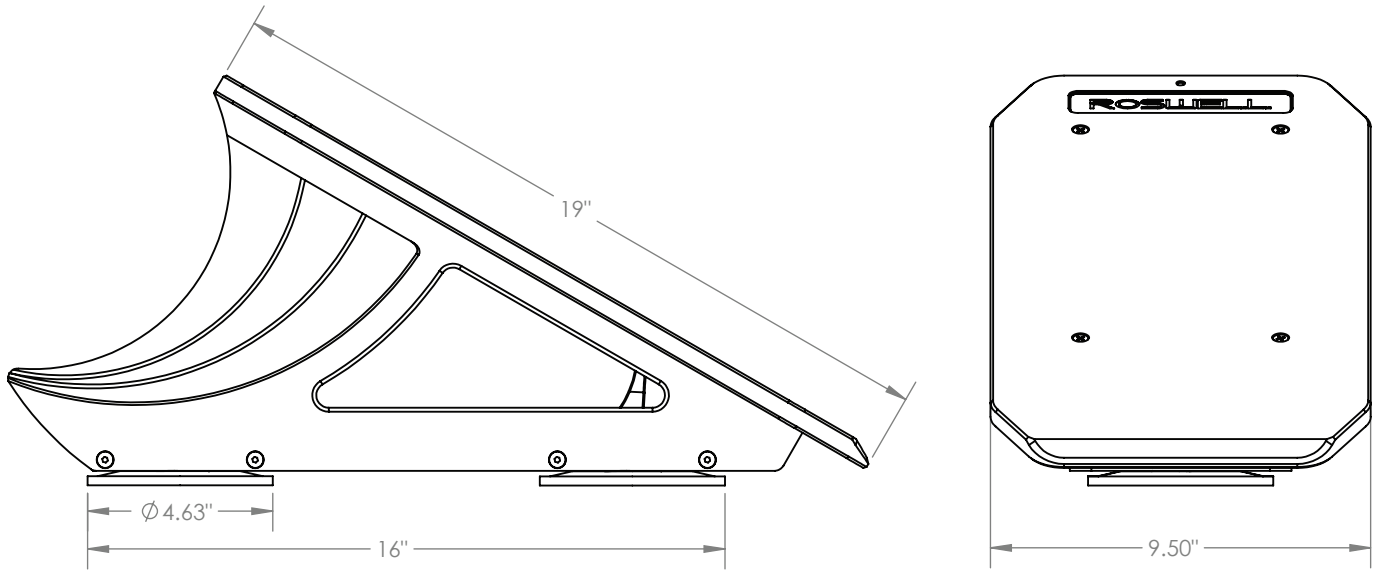
Part # C910-1750

Information: info@roswellglobal.com

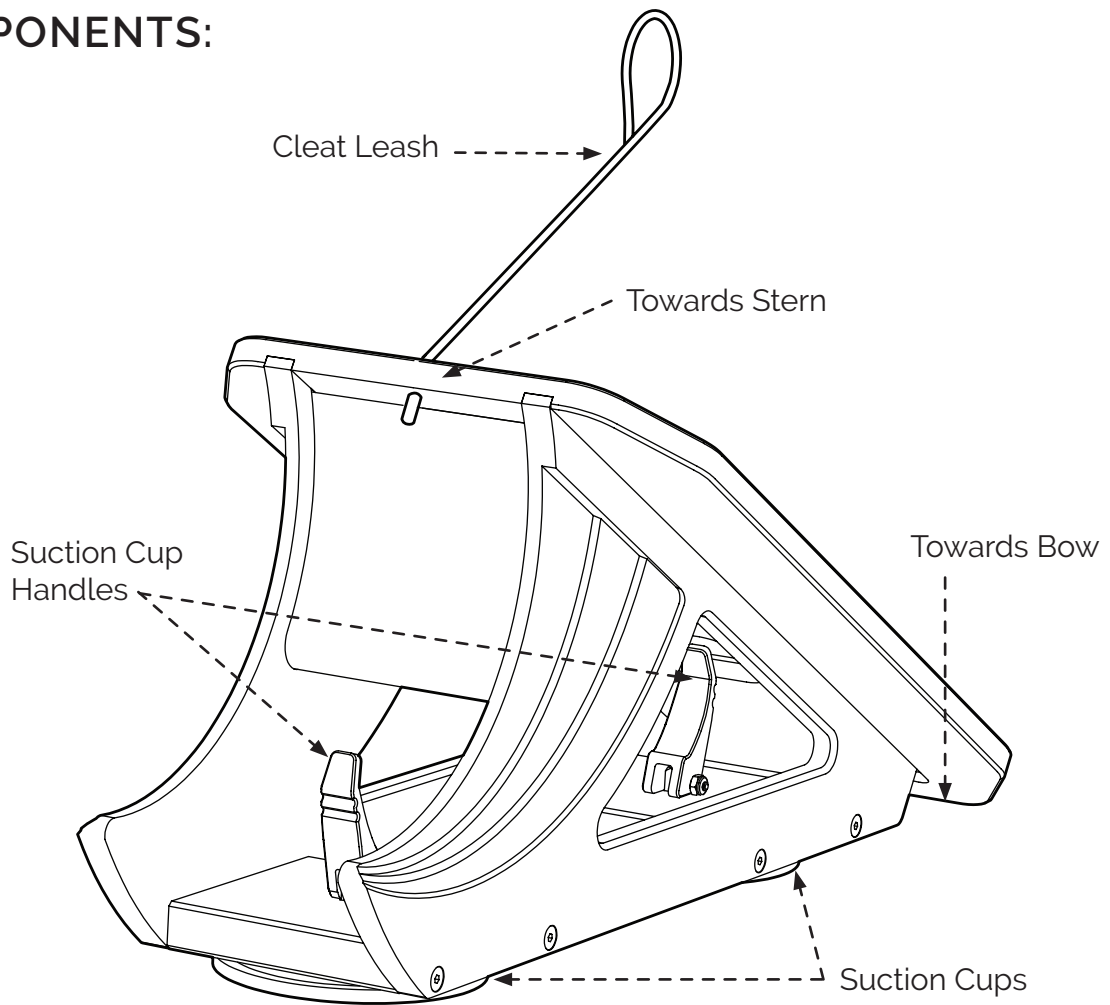
If you have any questions please call : 1-321-638-1331

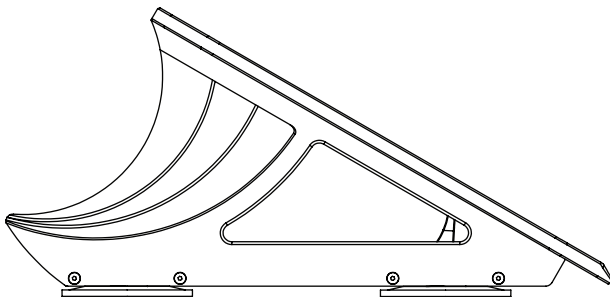



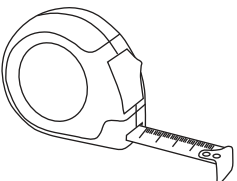


DIMENSIONS:



COMPONENTS:



PACKAGE CONTENTS			TOOLS NEEDED
 <p>(x1) Deflector Wave Shaper</p>	 <p>(x1) Cleat Leash</p>	 <p>(x2) Suction Cup Covers</p>  <p>(x4) Position marking decals</p>	 <p>Tape Measure</p>

⚠ Attention ⚠

Do not trailer with The Deflector mounted.

The Deflector is designed to be easy to install and remove from your boat. The Deflector is designed for max speeds of 13mph or 21kph. Anything in excess of the max speed can result in the Deflector coming off. The Deflector coming off can be dangerous. A cleat leash is provided to keep The Deflector close to the boat in case of coming off. Use at your own discretion.


Roswell is not responsible for lost Deflectors, damage to boats caused by the Deflector coming off or damage to boats from using the provided cleat leash.

INSTRUCTIONS

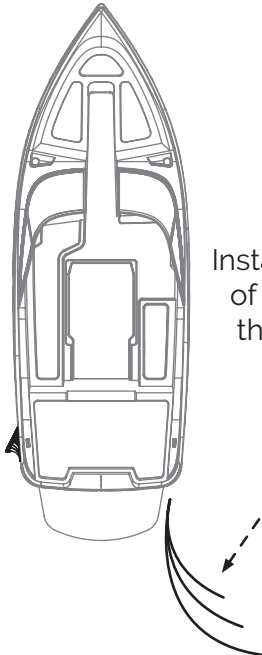
Follow these steps to ensure proper installation of your Deflector Wave Shaper.

A Decide which side of your vessel you will want a wave on. You will mount the Deflector on the opposite side that you want a wave.

Install Deflector on starboard side of hull to make a wave on the port side of the boat.



Install Deflector on port side of hull to make a wave on the starboard side of the boat.

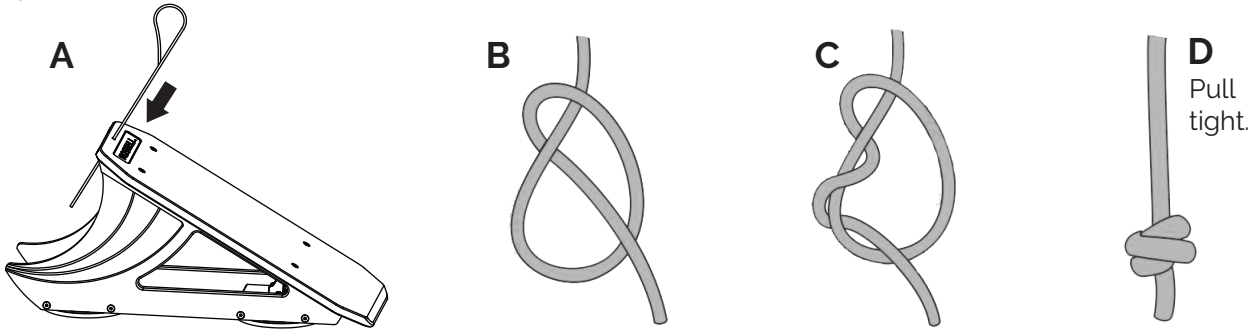


B

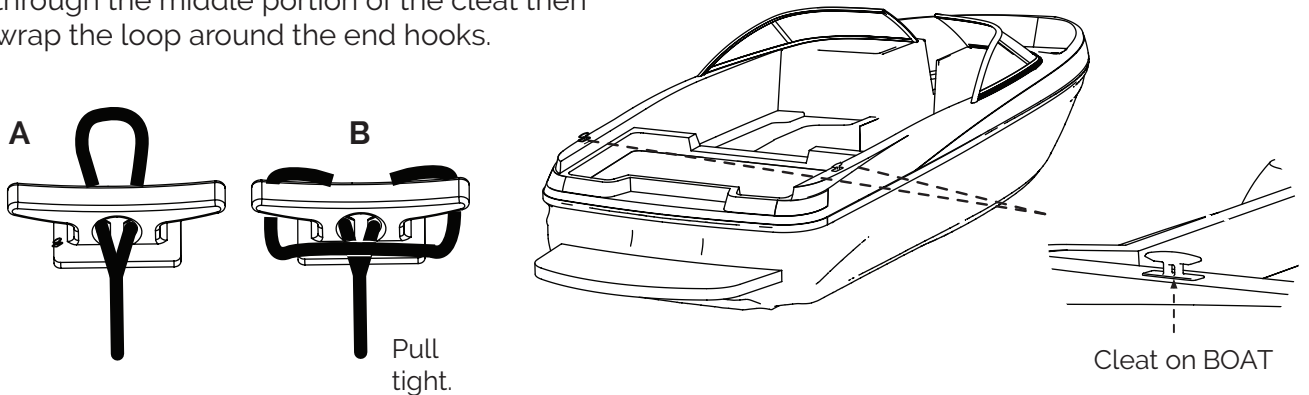
Decide if you want to use the Deflector cleat leash. The Deflector does float if it unintentionally comes off. However, a cleat leash is provided to keep the Deflector close to the boat if it does come off. Use at your own discretion. Location of cleats differ from one boat to another. Deflector being pulled by the leash can cause Deflector to hit the boat and/or prop causing damage. Roswell is not responsible for boat damage due to use of cleat leash.

If using cleat leash follow these 2 steps. If not, move on to Step C

Step 1 : Feed straight end of leash through hole at the top of the Deflector then tie a double overhand knot.

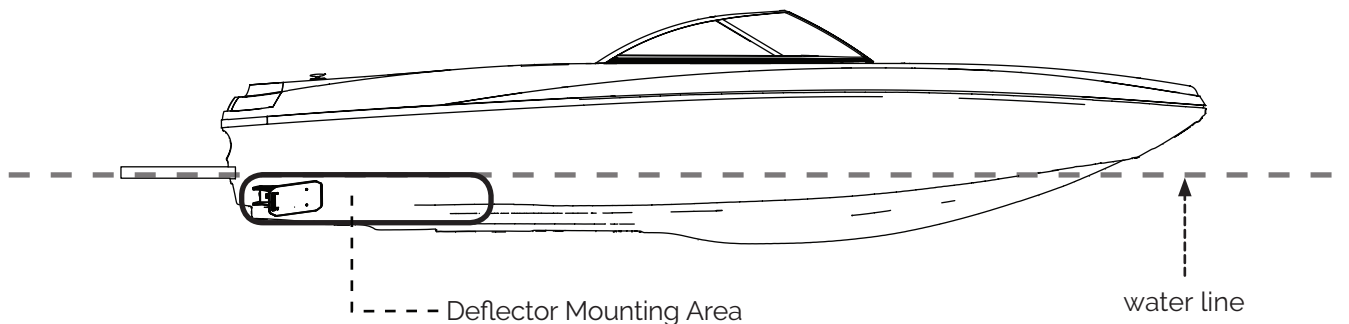


Step 2 : Feed the looped end of the leash through the middle portion of the cleat then wrap the loop around the end hooks.

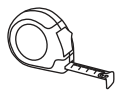


C

The Deflector will need to be mounted below the water line. Ensure the area where the Deflector will be mounted is wiped free of dirt, is flat and free of decals. Your boat should be as close to level as possible in the water when the Deflector is installed.

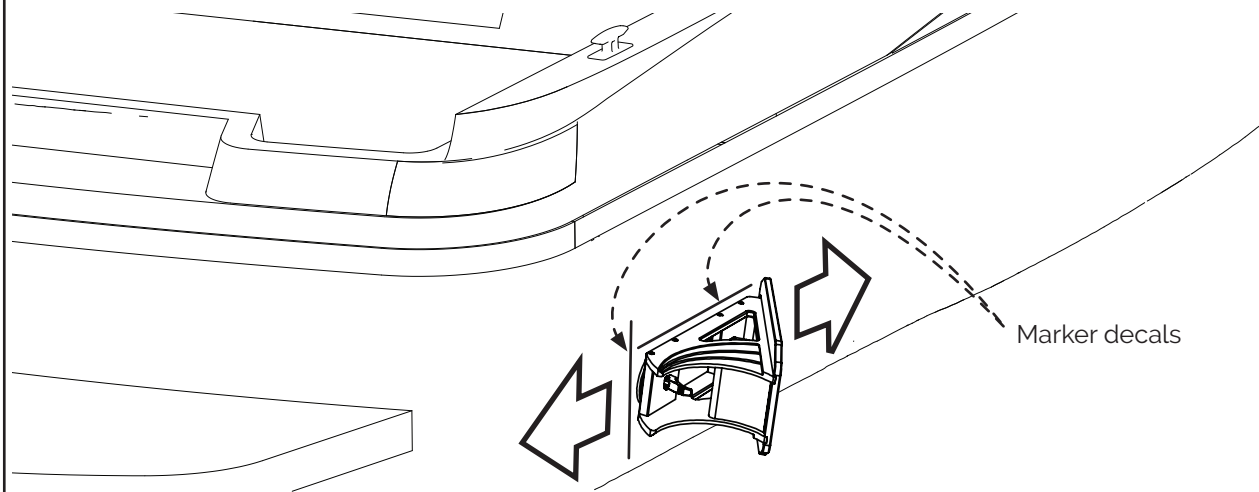


D



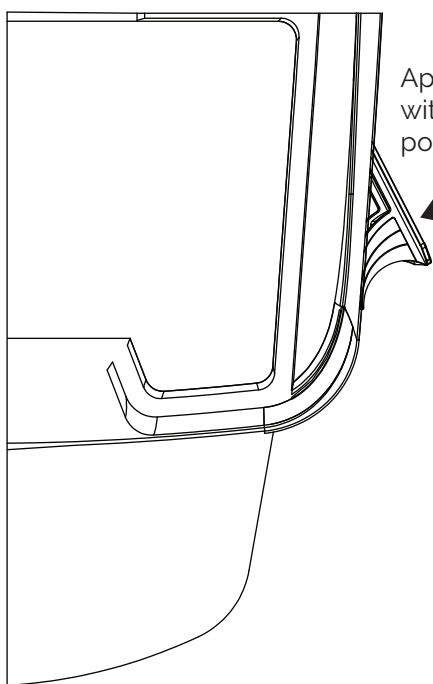
When using the Deflector for the first time bring a tape measure on board with you. It may be necessary to try different mounting locations on your vessel to achieve maximum performance. In some cases mounting the Deflector farther forward will give the best wave, and in some cases a more rearward position is better. Once you have found that sweet spot, measure from a couple of reference points and take note of the dimensions. When the boat is dry on a lift or trailer apply the Position Marking Decals to mark the locations of best performance on the vessel's hull. 4 decals are provided, 2 for each side of your boat.

This step is optional but installing the decals will make using your Deflector and getting it in the best spot every time much easier.



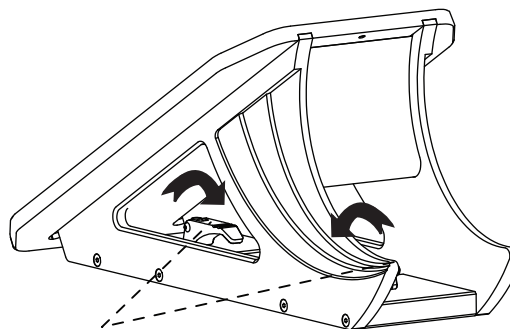
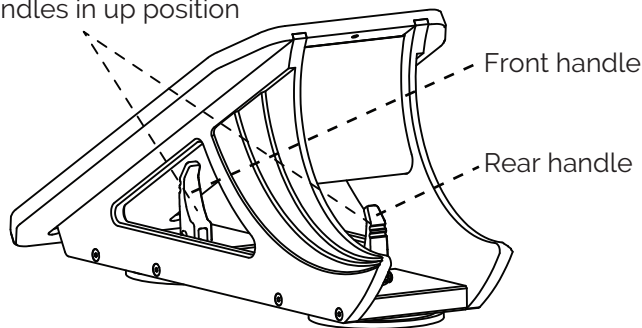
E

To mount your Deflector first remove the suction cup covers if you haven't already. Ensure the suction cup handles are in the up position to begin. Firmly push the Deflector into the hull. While still applying firm pressure rotate the rear handle down to engage the suction cup. Then rotate the front handle down to engage the second suction cup. You are now ready to surf!



Apply firm pressure with handles in up position

Handles in up position

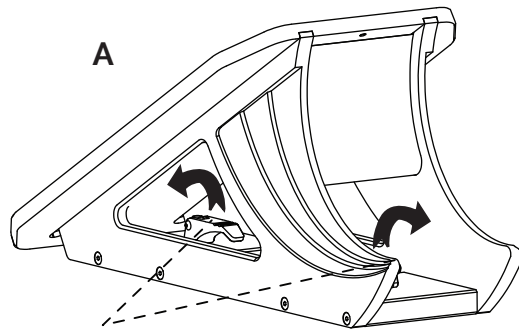


Handles in down position

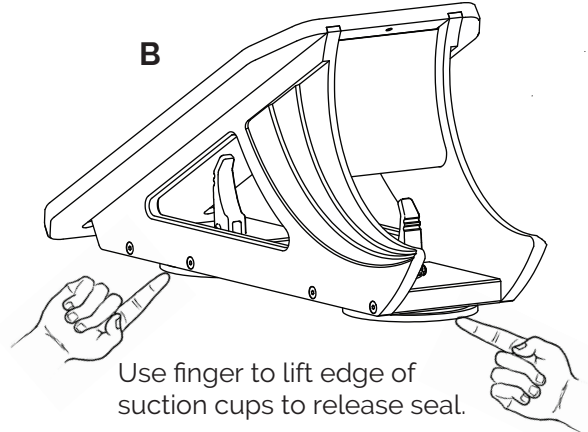
F

To remove your Deflector, rotate the suction cup handles into the up position. Then with your finger pry back the suction cup lip slightly to release the seal. Do this 1 suction cup at a time.

*****NEVER PULL, STRETCH OR PRY ON THE DEFLECTOR TO TRY AND REMOVE IT. THIS CAN RESULT IN DAMAGE AND PREMATURE WEAR TO YOUR SUCTIONS CUPS. ROSWELL DOES NOT WARRANTY SUCTION CUPS DUE TO MISUSE..*****

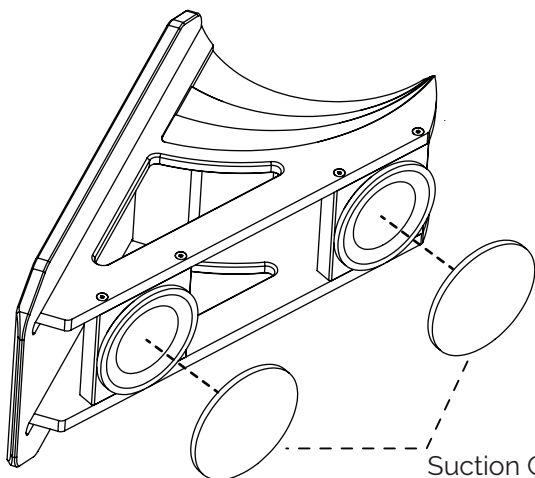


Handles in down position. Rotate to up position.



Use finger to lift edge of suction cups to release seal.

G



Suction Cup Covers

*****When not using or storing your Deflector it's important to put the suction cup covers back on to protect the suction cups. Storing the Deflector with the suction cups in contact with any uneven surface may cause suction cups to deform which can affect the suction cup performance.*****

H

Your Deflector floats in case it unintentionally comes off and you opted to not use the cleat leash. Shown is how your Deflector will look floating in water. Keep your eye out for the yellow float block or the reflective Roswell decal.

