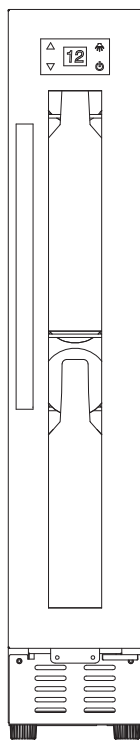




WINE REFRIGERATOR

MODEL - WR 09 SL



OWNER'S MANUAL

Please read the instructions carefully and keep for future reference. Information may be updated from time to time so please refer to the manual online for the latest version of the manual.

Warranty

Equator Appliances undertakes to the consumer-owner to repair or, at our option, to replace any part of this product which proves to be defective in workmanship or material under normal personal, family or household use, in USA and Canada, for a period of one year from the date of original purchase. For commercial use, the product is warranted for a period of 90 Days. During this period, we will provide all labor and parts necessary to correct such defect, free of charge, if the appliance has been Installed and operated in accordance with the written instructions with the appliance. Ready access to the appliance, for service, is the responsibility of the consumer-owner. Services would be provided from Monday to Friday between normal business hours.

Exclusions

In no event shall Equator Appliances be liable for incidental or consequential damages or for damages resulting from external causes such as abuse, misuse, incorrect voltage or acts of God. This warranty does not cover service calls which do not involve defective workmanship or materials covered by this warranty. Accordingly, diagnosis and repair costs for a service call which does not involve defective workmanship or materials will be the responsibility of the consumer-owner.

Specifically, the following work is not covered under warranty and does not constitute warranty work:

Installation - e.g. Insufficient spacing around appliance

Maintenance - e.g. Cleaning the appliance using solvents

Mishandling - e.g. Breakage of shelves

Most work is covered. The defining factor is, has the machine malfunctioned (Equator Appliances is responsible) or has the customer omitted or done something to cause the machine to malfunction (customer is responsible). Some states do not allow the exclusion or limitation of incidental or consequential damages, so the above limitation of exclusion may not apply to you.

WARRANTY SERVICE

This warranty is given by:

Equator Appliances

10222 Georgibelle Drive, Suite 200
Houston, Texas 77043-5249

For Service:

Call: 1-800-776-3538

Email: service@ApplianceDesk.com

Web: www.ApplianceDesk.com

Business hours: 9:00 am to 5:00 pm weekdays

You can register your Warranty by either of the following methods:

1. Scan QR Code

QR Code



1. Open Smart Phone
2. Open Photo
3. Scan QR Code
4. Click the Link

2. Register online at ApplianceDesk.com/Warranty

GENERAL

Since it is a responsibility of the consumer-owner to establish the warranty period by verifying the original purchase date, Equator Appliances recommends that a receipt, delivery slip or some other appropriate payment record be kept for that purpose.

This warranty gives you specific legal rights, and you may also have other rights which vary from State to State.

All rights reserved. Manual subject to change without notice.

Safety

Do not store explosive substances such as aerosol cans with a flammable propellant in this appliance.

Refrigerant and foaming material is flammable. Take precautions during handling, installation, and maintenance.

Ensure that the refrigerant circuit is not damaged.

Keep ventilation openings clear of obstructions.

When positioning the appliance, ensure the electrical cord is not trapped or damaged.

Do not place multiple portable socket-outlets at the rear of the appliance.

Never unplug the appliance by pulling on the power cord. Grip the plug firmly and pull straight out to remove from wall socket.

Do not use a damaged power cord.

Do not use an extension cord.

Children should be supervised to ensure that they do not climb on or play with the appliance.

This appliance is not intended for use by persons (including children) with reduced physical, sensory or mental capabilities, or lack of experience and knowledge, unless they have been given supervision or instruction.

Safe Disposal

Before discarding the appliance, remove the door in order to prevent risk of child entrapment.

Please dispose of this appliance in accordance with local regulations.

Installation

Do not tilt the Wine Refrigerator at an angle of more than 45° when moving it.

Do not move the appliance while it is loaded with bottles.

Place the appliance away from sources of heat and high humidity, and also away from areas of moisture and exposure to cold temperatures.

After moving the Wine Refrigerator in place, let it stand upright for 10 minutes before turning it on.

Plug the appliance into a dedicated, properly installed-grounded wall outlet. Do not under any circumstances cut or remove the third (ground) prong from the power cord.

Check the plug and cable before you connect the power and ensure the correct voltage is 115V / 60Hz.

Ensure that the plug is accessible.

Place the Wine Refrigerator on a flat level surface, leaving 2 inches (5 cm) on either side and at least 3 inches (8 cm) between back of appliance and the wall.

The feet of the appliance can be adjusted to make it level.

Before use, clean the outside and inside surfaces with a damp soft cloth.

Operation

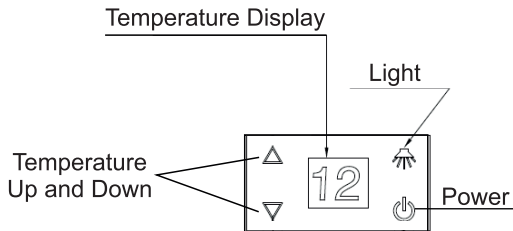
This appliance is intended for storage of wine and for household use only.

General Use

Store wine in sealed bottles.

Do not overload the cabinet and ensure that the door can be closed firmly.

Temperature Setting



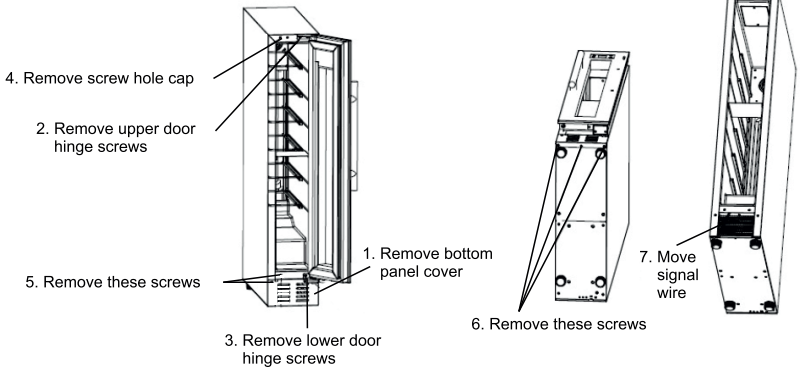
Press the Power ON/OFF button to turn the appliance on.
Press the Light ON/OFF button to turn on the LED light inside the appliance.

The appliance should be placed in a room where the temperature is between 32°F-101°F (0 to 38°C).

The temperature range of the appliance is 41°F-64.4°F (5°C-18°C).
Increase or decrease the temperature by pressing the Up and Down arrows.

Pressing the temperature Up and Down buttons for 5 seconds will display the temperature as °C or °F.

Door Reversal



Use a screwdriver to remove the bottom panel cover and disconnect the signal wire.

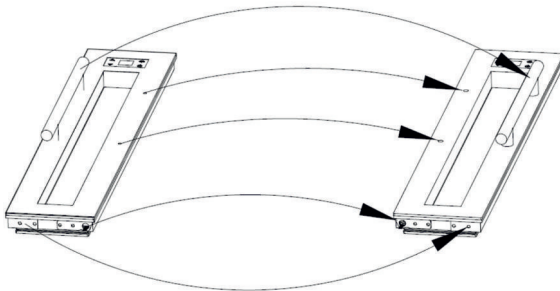
Use a screwdriver to remove the upper and lower hinges of the door and remove the door.

Turn the unit sideways and reinstall the front panel.

Move the signal wire from the right side to the left side and reinstall the bottom panel.

Remove the handle, hole cap and door stopper.

Install them on the other side of the cabinet as shown below:

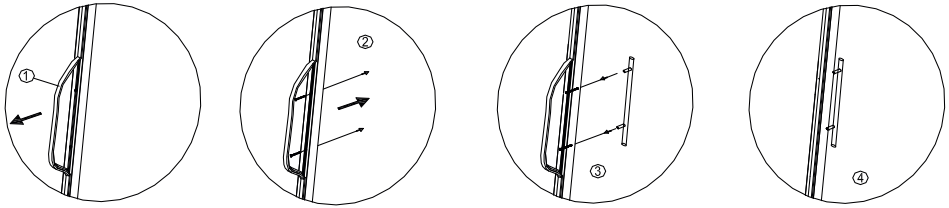


Take out the upper and lower door hinges from the accessory bag and install the door in the corresponding position on the other side.

Ensure the hinge holes and screws are aligned and tighten the screws to complete the door reversal process.

Installing Door Handle

Install the handle according to the following four steps:

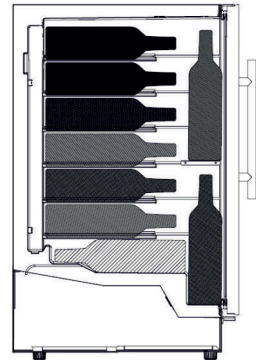


1. Move door seal
2. Insert screws
3. Using screwdriver fasten door handle
4. Replace door seal to original position

Loading and Storage of Wine Bottles

Shelf capacity: 1 bottles per shelf

Ensure bottles are spread evenly, so that weight is not concentrated in one area of the unit. Ensure bottles do not touch the back of the cabinet.



Maintenance

Make sure the power cord is unplugged before moving or cleaning the back of the appliance.

Clean the outside and inside of the appliance regularly, using water and mild detergent.

Troubleshooting

Problem	Possible Cause and Solution
Not Working	Check the power source. Check if it is plugged in correctly to the power source.
Not Cooling	Temperature is not set correctly. Adjust the temperature. Move unit if it is near heat source or direct sunlight Check for proper ventilation and that air inlet or outlet is not blocked. Door opened frequently or not shut properly. Door seal is damaged. Too many bottles stored on the same shelf.
Too much noise	Appliance not placed on flat surface or not level. Adjust the feet to level it. Some parts are loose causing rattling. The appliance is against a wall.
Door does not close properly	Check the seal. Shelves are not positioned properly. Adjust the shelves. Check that bottles are stored correctly and fit in the cabinet.

The following are normal:

- Moisture on the glass door – wipe with dry cloth
- Sound of fluid is the compressor when it is starting or stopping
- Flowing sound of refrigerant in the refrigeration system
- Condensation forming inside the cabinet – wipe with dry cloth

Installing Door Lock

The wine Refrigerator comes with an optional latch which can be attached to the side of the door. This will secure the door and ensure that it remains closed.



1. Align the latch position
2. Remove the sticker
3. Affix latch part ① first, then part ②

Specification Table

Model	WR 09
Capacity	9 Bottles (0.77 cu.ft)
Electrical	110V / 60Hz
Refrigerant	R600a
Temperature	41° F - 71.6° F
Net Weight	42 lbs
Product Dimensions (HxWxD)	32.28" x 5.90" x 20.66"

California Proposition 65

WARNING: This product contains chemical known to the State of California to cause cancer and birth defects or other reproductive harm.



Equator Advanced Appliances USA was established in 1991 for providing the most Efficient, Highest Quality and Innovative household appliances.

Equator's mission is to provide Innovative, Practical, Top-Quality appliances that Save Time, Space and Energy and Simplify domestic chores.

Equator's vision is to Improve the Quality of Life for our Customers!

Equator Appliances USA

www.EquatorAppliances.com