

<THESE INSTRUCTIONS MUST BE GIVEN TO THE END USER>



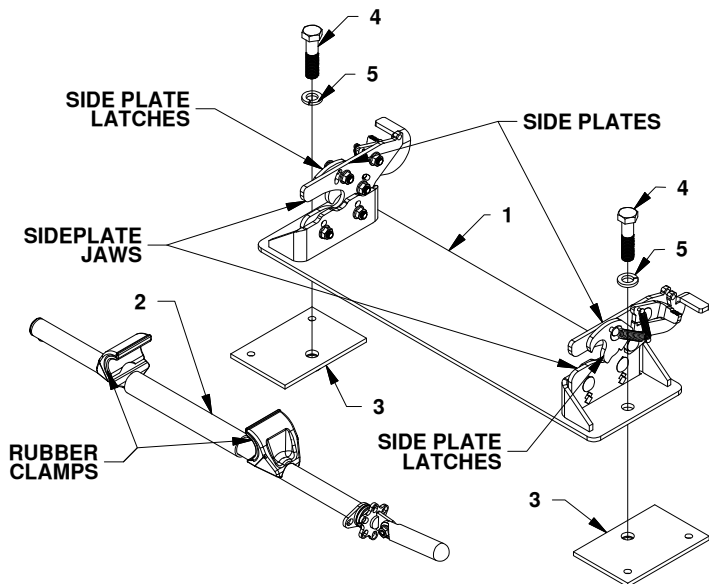
B&W Trailer Hitches
 1216 Hawaii Road
 PO Box 186
 Humboldt, KS 66748
 P: 800.248.6564
 F: 620.869.9031

Call or Email us for
 Installation Support
 hitches@turnoverball.com
 www.bwtrailerhitches.com

To learn more about Biker Bar visit
www.ditchthestraps.com for product
 demonstrations, model charts and other
 information.

Biker Bar® Installation Instructions

BIKER BAR



PARTS LIST		
ITEM	DESCRIPTION	QTY
1	BASE ASSEMBLY	1
2	CLAMPING BAR	1
3	ANCHOR PLATES	2
4	5/8" X 2-1/2 HEX HEAD BOLT	2
5	5/8" SPLIT LOCKWASHER	2

⚠ Read all installation instructions along with all product labels before using the Biker Bar.

An operations guide is provided below for your convenience. Refer to the rest of the document for more detailed installation instructions and safety warnings.

NOT INCLUDED: Fasteners and tools to mount the anchor plates to the trailer.

For metal: Four 3/8" bolts and hardware.

For wood: Four wood screws size #10 or larger.

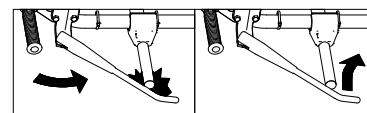
Biker Bar Operation Guide

1. Install Clamping Bar onto Bike

- Install clamping bar onto horizontal portion of frame that is straight and free from obstructions.
- With the clamping bar perpendicular to the bike's centerline, tighten the clamping bar until the lock washer is fully compressed, then tighten an additional 1/4 turn.
- Position the handle so that it is not pointing downward for maximum ground clearance.

2. Lock Bike into Base

- Slowly ride the bike through the center of the base so that the clamping bar fully engages the latches on the side plates.

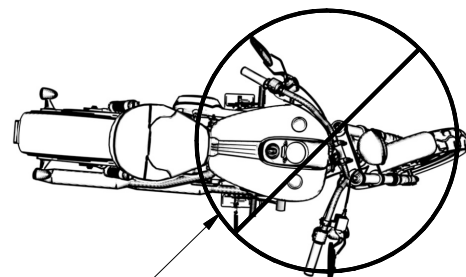


NOTICE: If your kick stand hits the clamping bar while stowing, pick up the kick stand and move it around the bar.

- Tighten Biker Bar clamp handle an additional 1/4 turn.

3. Double Check Security of Bike

- Dismount Bike. The bike should feel stiff and resist movement when:
 - Turning handlebars back-and-forth
 - Rocking bike side-to-side
- Re-check bike stability after hauling the bike a few miles and periodically while pulling long distances. The handlebars should not move while hauling the bike. **Never haul bike with handlebars turned.**
- If the bike's handlebars move or movement needs to be limited further do one or both of the following; lower the side plates on the base to compress bike's suspension further, or tighten the biker bar clamp to be sure it is not sliding on the bike's frame.



⚠️ WARNING

Failure to comply with the safety information in these instructions could result in serious injury or death.

- ⚠️ Read all installation and operating instructions along with all labels before using this product.
- ⚠️ The platform which the product will be attached to must be strong enough to withstand the forces associated with securely holding and transporting a motorcycle (properly supported 3/4" plywood equivalent or higher). The mounting surface must be uniformly level and free of debris. Do not mount the Biker Bar to any platform which may have structural defects, cracks, or is degraded in a way which might detract from the platform's ability to hold a properly mounted motorcycle.
- ⚠️ The Biker Bar base must be installed on a platform that is directly supported by axles. If using a "Stacker" or other multi-level platform trailer, the base may only be installed on the lowest platform.
- ⚠️ Without proper knowledge, towing can be a dangerous activity. Understand all the risks involved with towing before proceeding. For information on towing safety, see "The Trailer Handbook: A Guide to Understanding Trailer and Towing Safety" from the National Association of Trailer Manufacturers, www.NATM.com.
- ⚠️ Do not modify this product in any manner. Doing so could alter its integrity and lead to a loss of attachment between the trailer and the motorcycle.
- ⚠️ The Biker Bar is designed to secure a bike in-line with the direction of travel only. Serious injury and/or property damage may occur if the bike is in a different orientation than in-line with the direction of travel.
- ⚠️ Always check that all the bolted connections are tight and that the trailer surface integrity meets mounting expectations before towing.

Install Biker Bar Clamp onto Bike

1. **Identify clamping bar location:** The clamping bar is designed to clamp around the horizontal portion of the bike's frame below the engine and transmission with the handle on the right side of the bike. See Figure A1 for example. The bar should be clamped where:

- The rubber clamps fully engage a straight portion of the frame so that the clamping bar is perpendicular to the centerline of the bike.
- The clamps will not interfere with, brake lines, wiring harnesses, exhaust, foot pegs, floorboards, or other bike components. These components may need to be moved or adjusted to provide a location for the clamps.
- The side plates of the base will not interfere with bike features. The side plates extend above the center of the clamping bar about 1-7/8". Make sure there will be enough clearance above the side plates.
- The kickstand will have as much of its normal function as possible. On some bikes, the clamping bar may prevent the kickstand from swinging freely to its riding position. The kickstands of some bikes will need to be lifted over the bar by hand due to where the bar must clamp. In rare cases some bikes may require that the kickstand stays down while the bike is hauled.

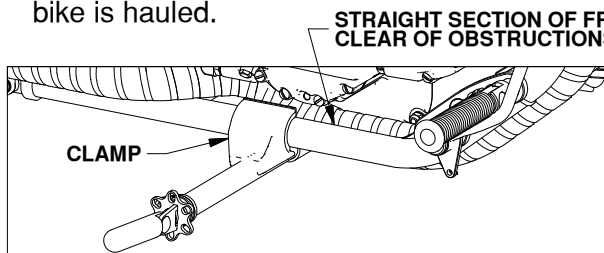


Figure A1: Clamping bar on bike frame.

- ⚠️ **WARNING: Failure to clear objects from around the clamping area may cause damage to the bike.**
- 2. **Secure clamping bar:** After locating the optimal location for the bar, tighten the bar around the frame with the handle until the lock washer is fully compressed as shown in Figure A2, then tighten an additional 1/4 turn. This position should be noted so that the clamping bar is in the same location every time the bike is latched into the base. Always flip the handle up away from the ground before moving the bike with the clamping bar attached.

- ⚠️ **WARNING: Failure to correctly tighten the clamping bar may result in excessive wear to the rubber pads, other property damage, and/or serious injury.**

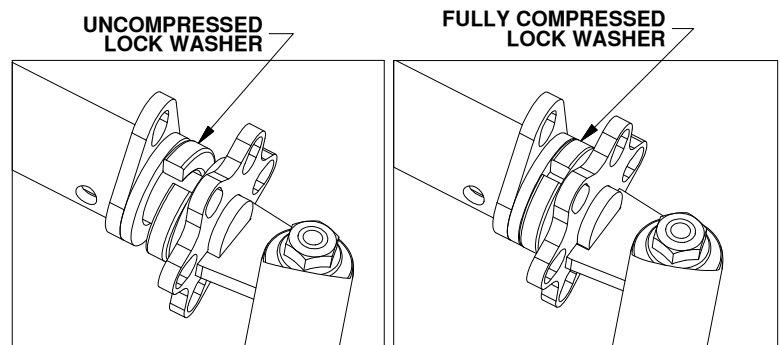


Figure A2: Clamp handle.

- ⚠️ **WARNING: The clamping bar significantly reduces the bike's ground clearance and may prevent safe loading while the bar is installed.**

Install Biker Bar Base onto Trailer

Tools and hardware required:

- The bike to be transported is required for the base installation process.
- Four fasteners (not provided) for anchor plates, wood screws (size #10 or larger) or 3/8" bolts, and tools to attach either.
- One 15/16" and one 9/16" wrench and/or socket.
- A 5/8" drill bit and drill, tape measure and marker.

1. **Trailer floor material.** The base may be installed on wooden or metal floors that are rigid enough to support the weight of the bike. A layer of plywood (3/4" min.) is recommended under metal floors to provide additional support and increase the material thickness that the bolts attach to.

NOTE: The Biker Bar may be installed into any transport or floor which meets floor strength requirements. The Biker Bar base must be installed so that the bike can be safely ridden into the base.

2. **Find base installation location.** With the clamping bar installed, position the bike on the trailer as it will be hauled. The bike must be in line with the direction of travel, and the floor must be free from obstructions in the area of the clamping bar. Note the location of the clamping bar relative to the floor by marking the floor or measuring to a reference point on the trailer, see figure B1.

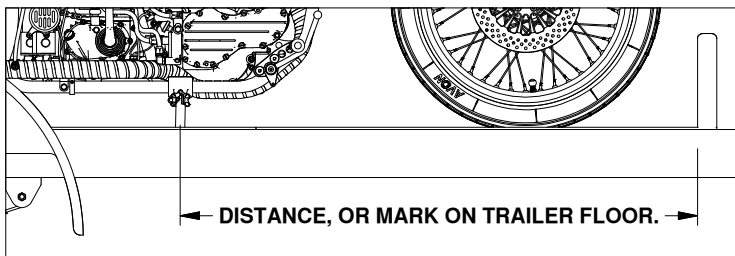


Figure B1: View looking at side of bike and trailer.

3. **Verify base installation location.** Place the Biker Bar base onto the trailer so that the mark or measurement taken earlier is aligned to the middle of the base, see figure B2. Double check that the base is square with the front or rear of the trailer.

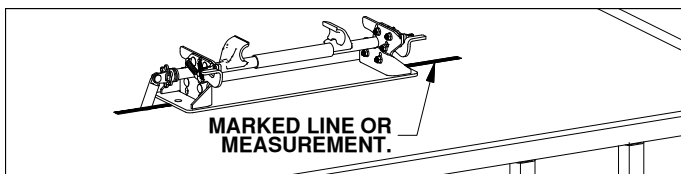


FIGURE B2: View looking down at trailer floor.

4. **Center the base and mark hole locations.** If installing a single Biker Bar on the trailer, use a tape measure to center the Biker Bar base in the middle of the trailer. If installing multiple Biker Bars, check that there is adequate distance between the bases so that the bikes will be clear of each other when riding into the base. Once the base is in its final location, mark the two holes on either side of the base in preparation for drilling the floor.

5. **Check hole locations and drill.** With a tape measure, check that there is space for the anchor plates and that the underside of the trailer is free of any obstructions in the area to be drilled, such as, cross members, wiring, or tanks of any kind. **Next, drill the two marked locations with a 5/8" drill.**

⚠ WARNING: Failure to check under the trailer for obstructions may cause property damage and/or serious injury.

6. **Secure the base.** Place the base over the holes and insert the 5/8" bolts as shown in figure B3. Thread the anchor plates onto the bolts with the nuts down as shown. With the face of the anchor plates flush with the floor, secure the anchor plates to the bottom side of the trailer with bolts or wood screws using the holes provided, see Figure B4. Tighten the two 5/8" bolts securing the base to the floor.

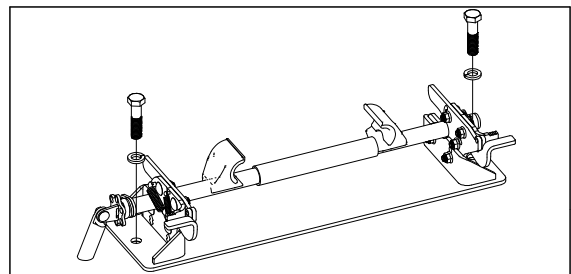


Figure B3: View looking at biker bar base.

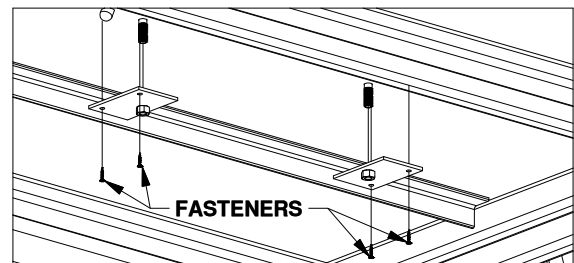


Figure B4: View looking up at bottom of trailer.

Adjust Biker Bar Base Height

⚠ WARNING: The Biker Bar height must be set so that the bike's suspension is compressed as instructed on pages 3 & 4. The pressure exerted by the suspension is critical in stabilizing the bike when trailered. Failure to properly set the height of the base may cause serious injury and/or property damage.

1. **Measure clamping bar on bike.** With the clamping bar installed and while sitting on the bike, measure the distance from the top of the clamping bar tube to the trailer floor, see Figure C1. Check dimension on both sides of the bike to ensure bike is even side to side.

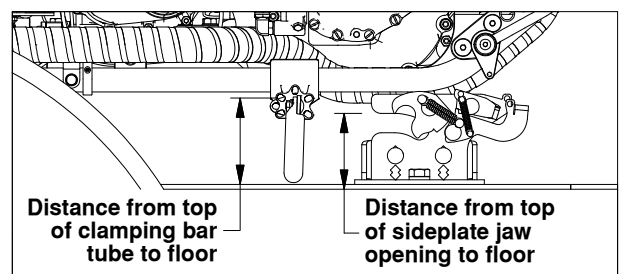


FIGURE C1: View of side of trailer.

- Adjust base height.** Adjust the positions of the side plate and the 3/8 carriage bolts. The height of the side plate can be adjusted in 1/4" increments, see figures C2 & C3. Set the side plate so that the measurement taken from top of the side plate jaw opening is at the same height as the top of the clamping bar tube, or in the next position lower, see figure C1.

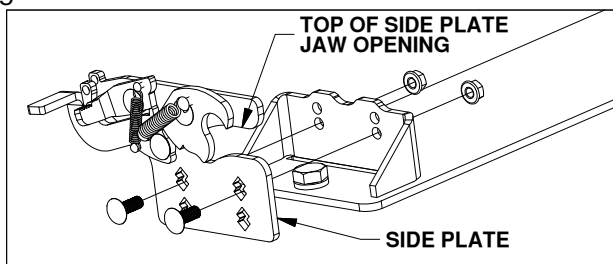


Figure C2: View of Biker Bar base.

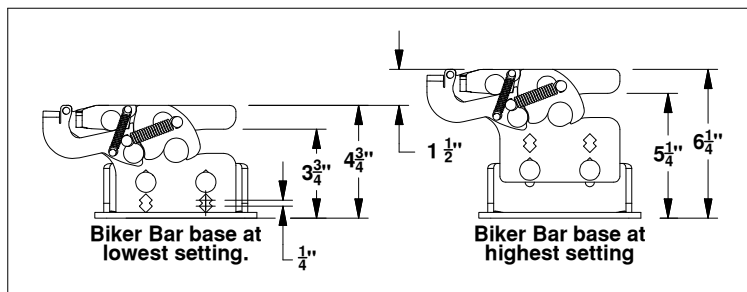


Figure C3: View of side of Biker Bar base.

Using the Biker Bar.

- ⚠ WARNING:** A misaligned approach and excessive speed when latching may force the bar to slide resulting in damage to the bike and/or failure to latch correctly.

- Latching bike to base:** With the side plate latches open, see Figure D1, and the handle up, slowly ride the bike through the base, centered between the side plates. Continue forward until both side plate latches fully close around the bar. When the latch is fully closed, the top edge of the latch will line up with the top of the side plate and the padlock holes will line up, see Figure D1.

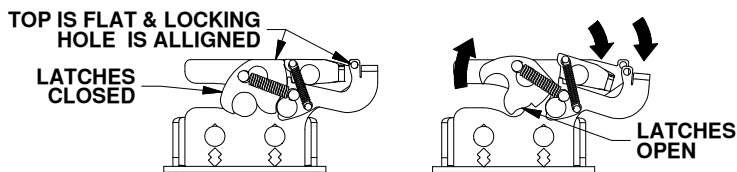


Figure D1: Side View of Biker Bar base.

- Secure the clamping bar:** Tighten the clamping bar handle an additional 1/4 turn.

- ⚠ WARNING:** Riding into or out of a trailer which is not level side-to-side and front-to-back is dangerous and may not allow the Biker Bar to latch. The trailer floor must be level before latching or unlatching the bike. Ignoring this precaution may cause serious injury.

- Check bike stability:** Make sure that the bike is secure in the base. The bike should feel stiff and resist movement when:

- Turning handlebars back-and-forth.
- Rocking bike side-to-side.
- Re-check bike stability after hauling the bike a few miles and periodically while pulling long distances. The handlebars should not move while hauling the bike. **Never haul bike with handlebars turned.**

If movement is observed.

- Compress the suspension of the bike further by lowering the side plates, and make sure the clamp is tight on the frame so that it will not slip.

- ⚠ WARNING:** Failure to check the bike for movement while latched may result in property damage and/or serious injury.

- Removing bike from base:** Push down on the latch handles on both side of the base, see Figure D2. While mounted on bike, slowly back bike out of the base.

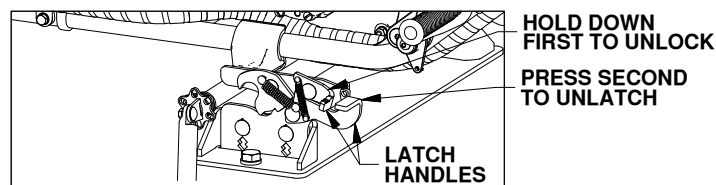


Figure D2: View looking down at Biker Bar.

- Remove the Biker Bar clamp.** Remove the Biker Bar clamp before operating bike.
- Optional padlock use.** For added security there are locations where padlocks can be installed, two on each side of the base and one on the clamping bar near the handle, See figure D3. Padlocks should only be installed once the bike is securely clamped into the base. When aligning holes to install a padlock onto the clamping bar always turn the clamp handle so that it becomes tighter.

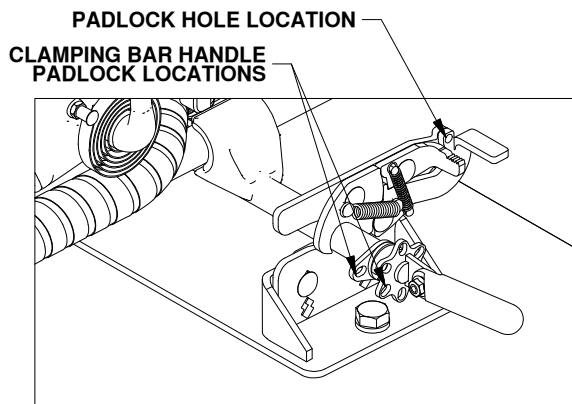


Figure D3: View looking down at Biker Bar.