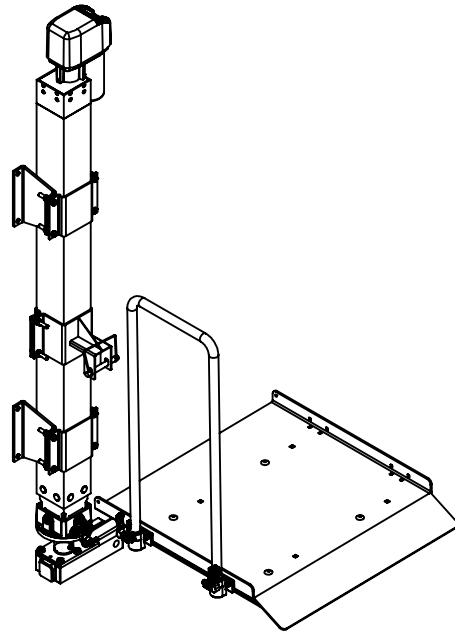


# HANDY LIFT - HD

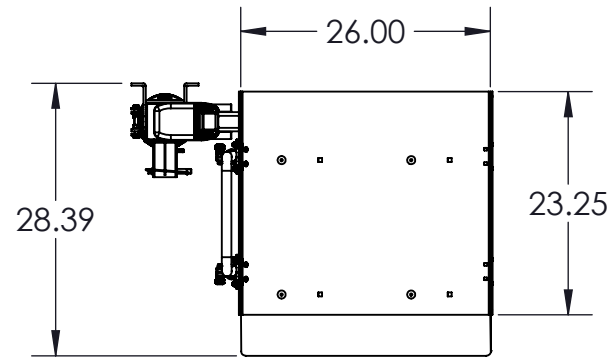
HD-MODELS

**BURR Engineering**

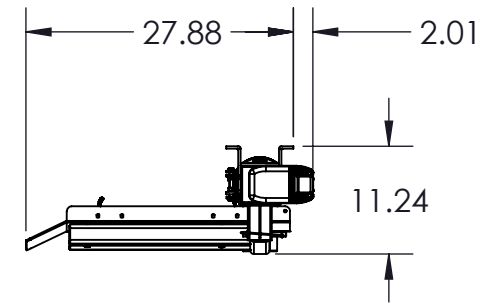
1125 WATKINS RD. P.O. BOX 460  
BATTLE CREEK, MICHIGAN 40915 USA



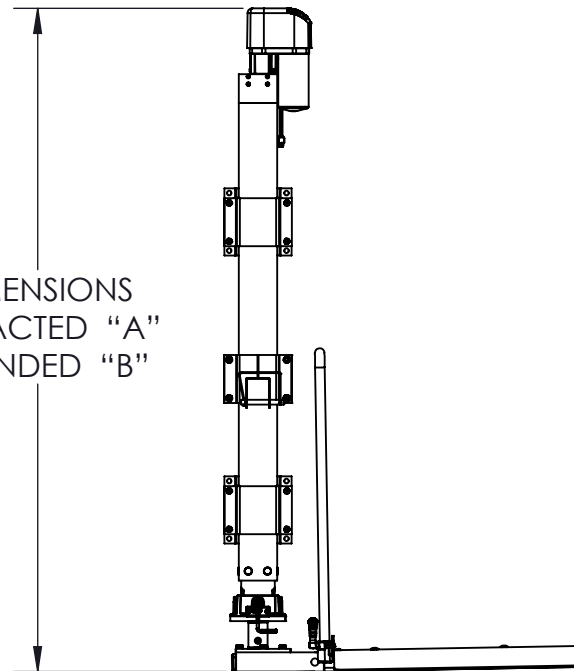
VIEW IN USE



VIEW STORED



DIMENSIONS  
RETRACTED "A"  
EXTENDED "B"



MODEL	LIFT	DIM "A"	DIM "B"
32689	40	69.1	109.1
33145	45	74.1	119.1
33056	50	79.1	129.1

TITLE: HANDY LIFT HD MASTER			
MODEL #	HL-HD	DATE: 10/21/20	DRAWING # 33680
REVISION:		ECN #:	APPROVED:

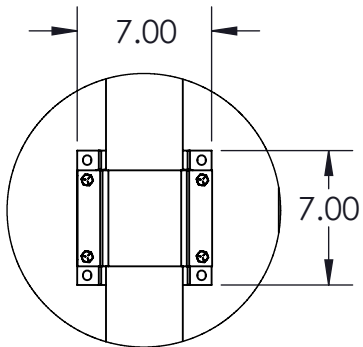
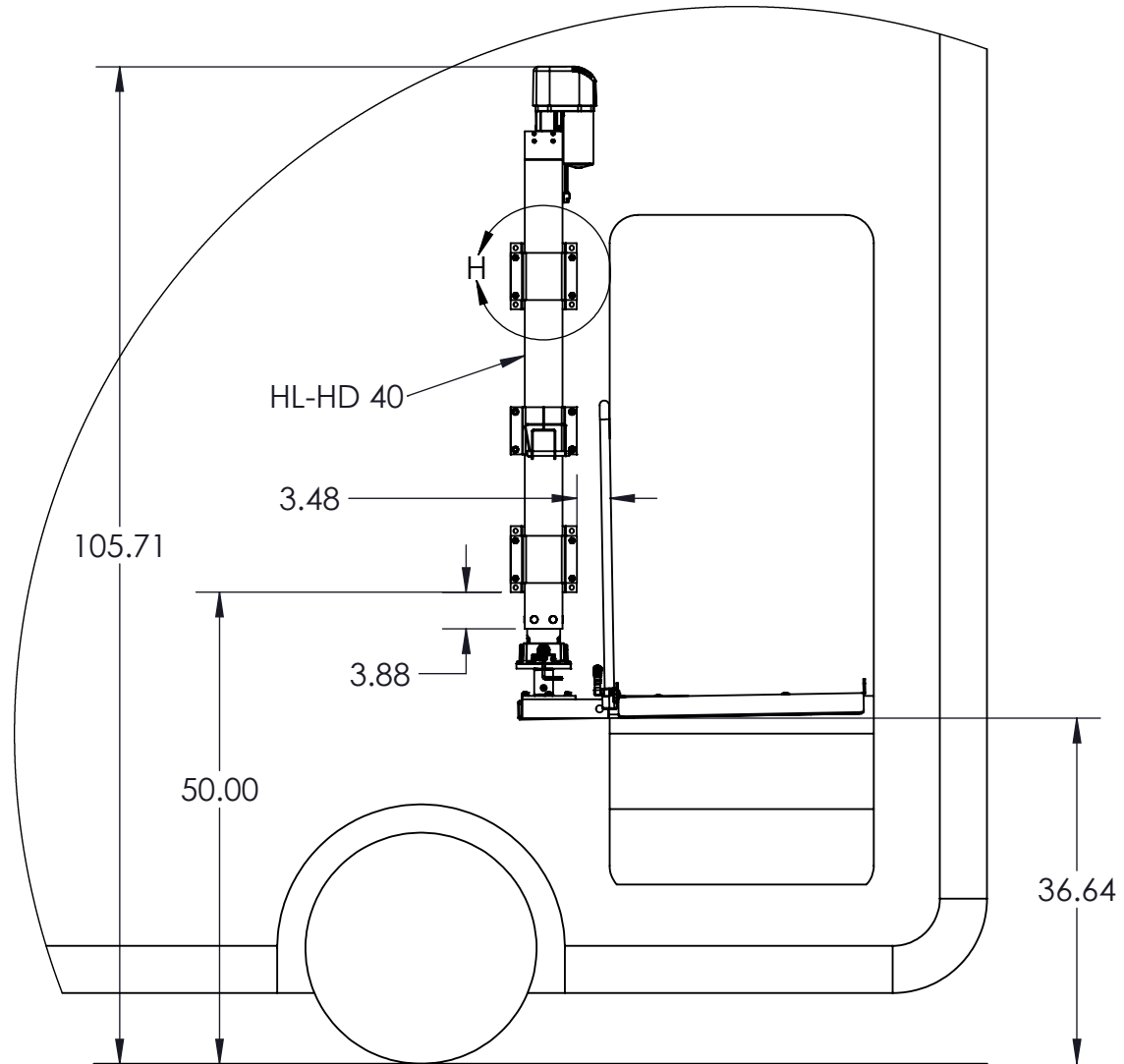
# HANDY LIFT - HD

HD-MOUNTING

**BURR Engineering**

1125 WATKINS RD. P.O. BOX 460  
BATTLE CREEK, MICHIGAN 49915 USA

GROUND TO BRACKET 50.00  
DOOR TO BRACKET 3.48  
BRACKET TO END OF OUTER TUBE 3.88  
STROKE NEEDED EST 36.64



MOUNTING BRACKET  
DETAIL H  
SCALE 1 : 10

TITLE: HANDY LIFT HD CLASS A INSTALL MASTER			
MODEL #	HL-HD	DATE: 10/21/20	DRAWING # 33680
REVISION:		ECN #:	APPROVED:

# HANDY LIFT - HD

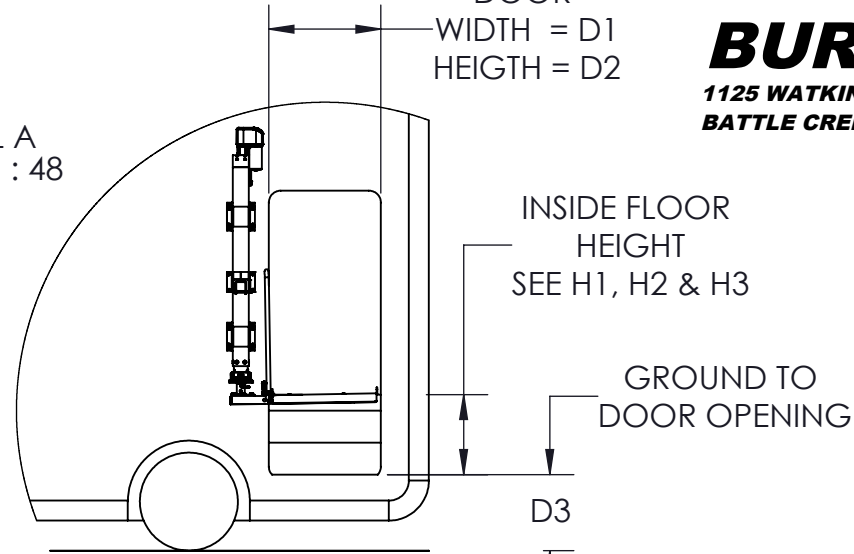
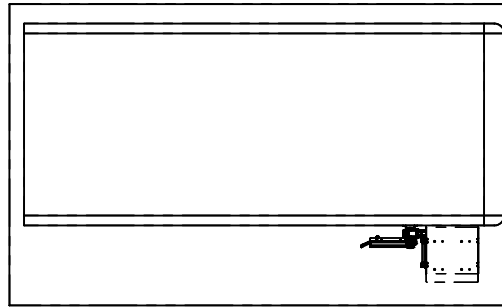
HD-SPECIFICATIONS

**BURR Engineering**

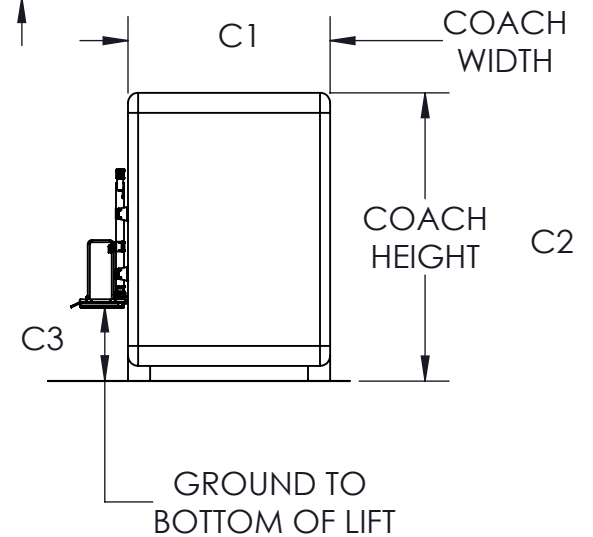
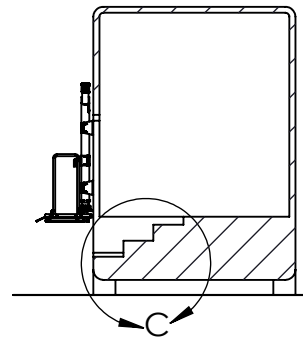
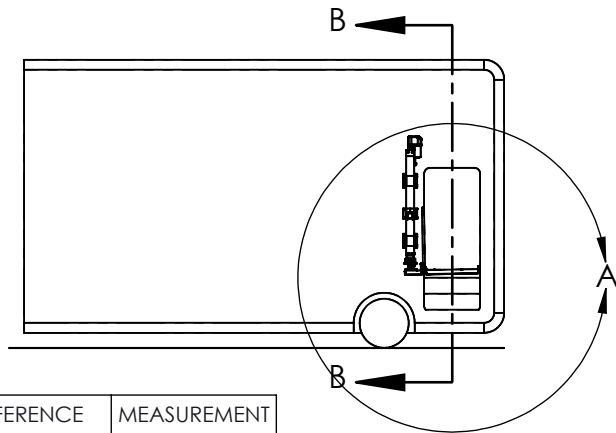
1125 WATKINS RD. P.O. BOX 460

BATTLE CREEK, MICHIGAN 40915 USA

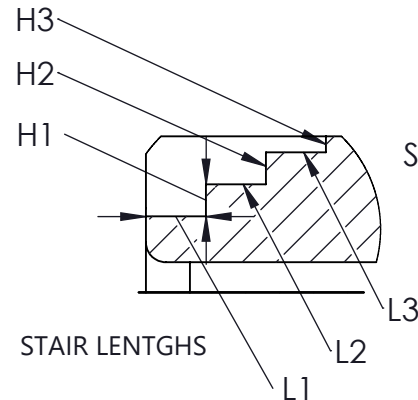
DETAIL A  
SCALE 1 : 48



SECTION B-B



STAIR HEIGHTS



STAIRS  
DETAIL C  
SCALE 1 : 48

	REFERENCE	MEASUREMENT
DOOR	D1	
	D2	
	D3	
COACH	C1	
	C2	
	C3	
STAIRS	L1	
	L2	
	L3	
	H1	
	H2	
	H3	

TITLE: HANDY LIFT HD CLASS A INSTALL MASTER			
MODEL #	HL-HD	DATE: 10/21/20	DRAWING # 33680
REVISION:		ECN #:	APPROVED:

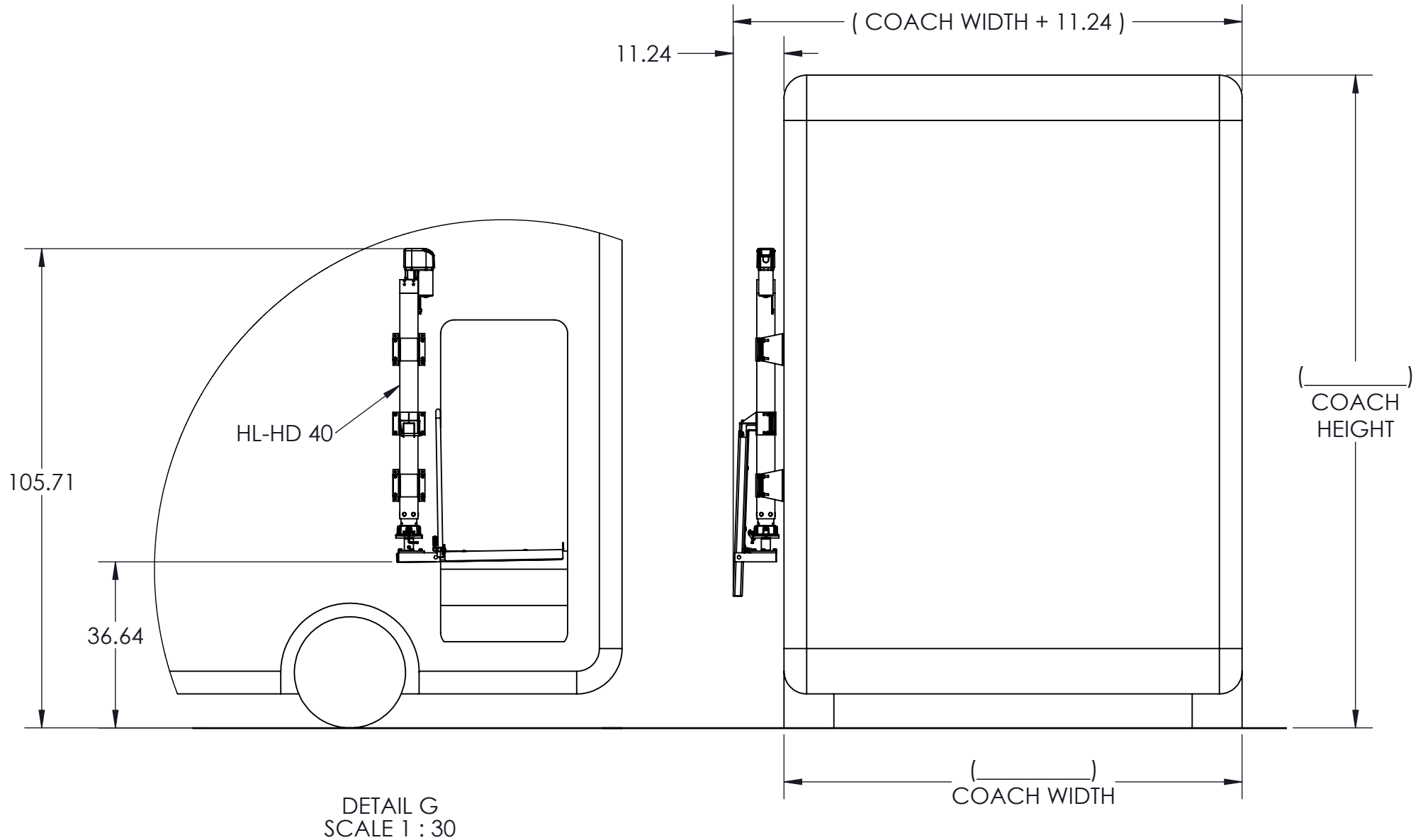
# HANDY LIFT - HD

HD-OVERALL-DIMENSIONS

**BURR Engineering**

1125 WATKINS RD. P.O. BOX 460

BATTLE CREEK, MICHIGAN 49915 USA



DETAIL G  
SCALE 1 : 30

TITLE: HANDY LIFT HD CLASS A INSTALL MASTER			
MODEL #	HL-HD	DATE: 10/21/20	DRAWING # 33680
REVISION:		ECN #:	APPROVED: