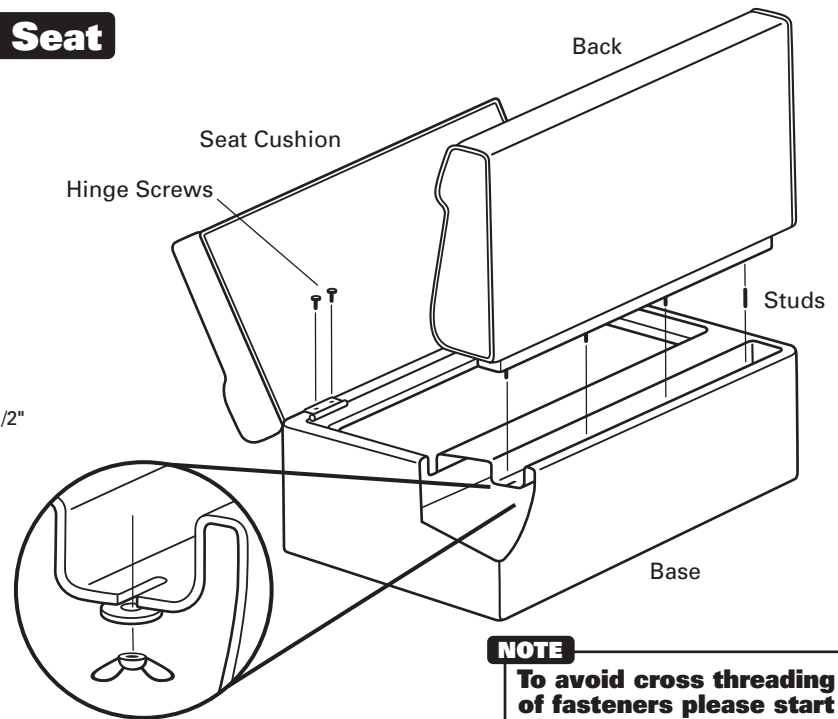
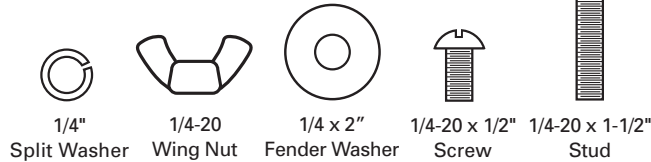


## 27" - 36" - 45" Bench & Corner Seat

### Package Contents

#### Back Cushion, Seat Cushion, Base & Hardware:

- 6 1-1/2" Studs
- 6 Fender Washers
- 6 Lock Nuts
- 6 Split Washers
- 4 1/4-20 x 1/2" Screws



**NOTE**  
To avoid cross threading of fasteners please start all screws by hand

### Attach Back to Base

1. Insert & tighten studs into t-nuts located on bottom of back.
2. Place assembled back with studs through base slots.
3. Place fender washer & lock nut onto each stud, tighten securely.

### Attach Seat Cushion to Base

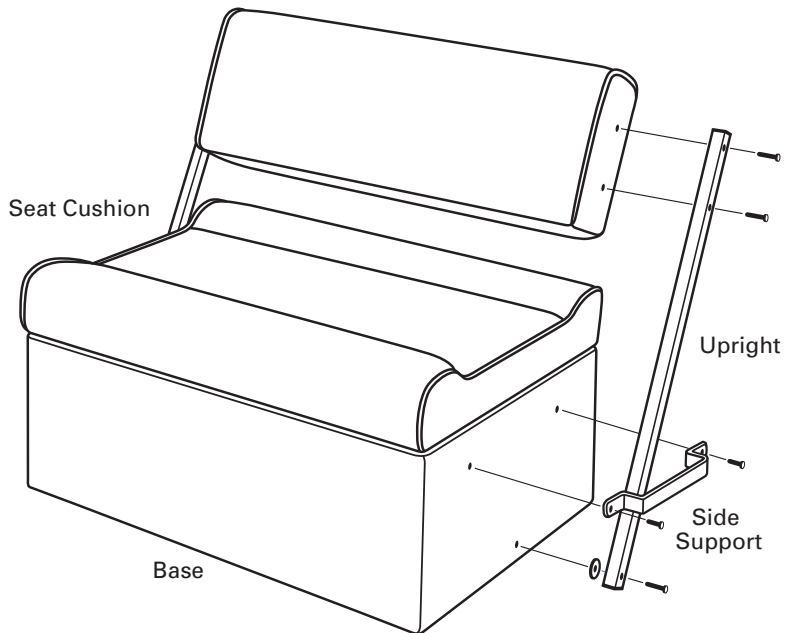
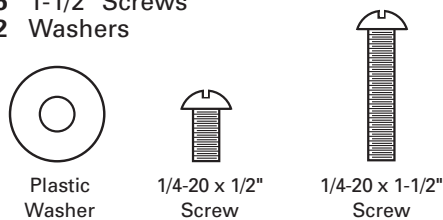
1. Align hinges installed on cushion with base mounting holes.
2. Secure cushion to base using 1/2" screws.

## Flip Flop Seat

### Package Contents

#### Back Cushion, Seat Cushion, Base & Hardware:

- 2 1 x 1 x 25-1/4" Aluminum Uprights
- 2 Side Supports
- 8 1/2" Screws
- 6 1-1/2" Screws
- 2 Washers



### Attach Swing Arm Assembly to Base

1. Attach side support to base using 1/2" screws, tighten securely.
2. Attach uprights and washer using 1-1/2" screw, tighten securely.

### Attach Swing Arm Assembly to Back

3. Using 1-1/2" screws, mount back to uprights, tighten assembly. Use seat cushion instructions above for flip flop seat.

**Questions? Missing Parts?  
Call 1.800.334.6541**

Above items are not manufactured for commercial use.