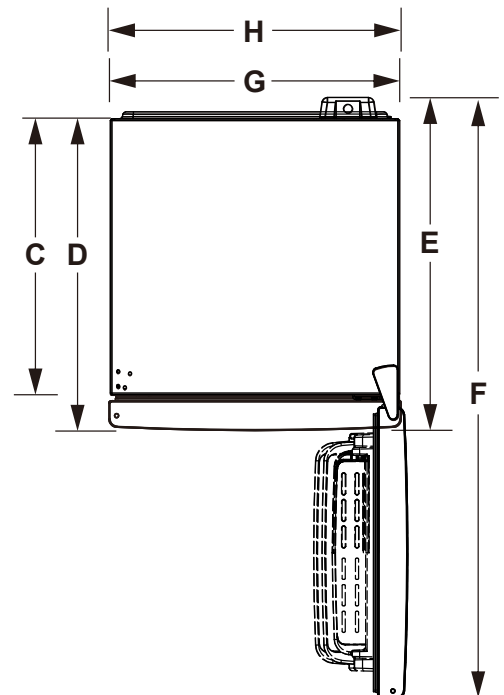
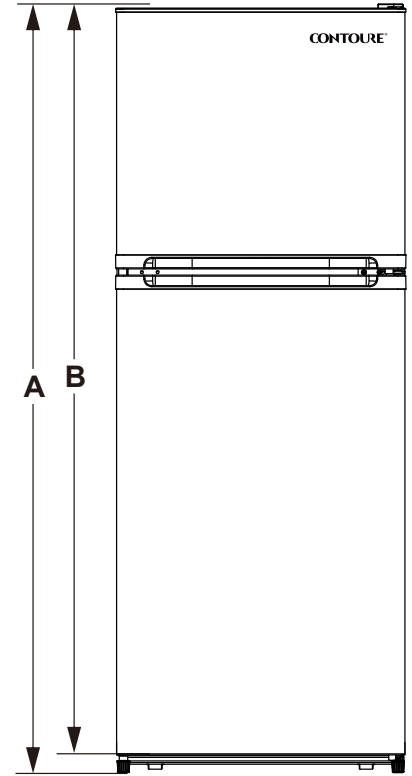


# PRODUCT INSTALLATION DIMENSIONS & RECOMMENDED CLEARANCES

**R-750S-12V**  
 Stainless Steel

**R-750BK-12V**  
 Deluxe Black



UNIT DIMENSIONS	Height to top of hinge (in.) <b>A</b>	<b>57.4</b>
	Height to top of case (in.) <b>B</b>	<b>55.7</b>
	Case depth without door (in.) <b>C</b>	<b>20.5</b>
	Case depth less door handle (in.) <b>D</b>	<b>23.1</b>
	Case depth with door handle (in.) <b>E</b>	<b>24.7</b>
	Depth with fresh food door open 90° (in.) <b>F</b>	<b>44.6</b>
	Width (in.) <b>G</b>	<b>21.5</b>
	Width with door open 90° with door handle (in.) <b>H</b>	<b>21.7</b>
	Power Requirements	<b>12V DC</b>
RECOMMENDED CLEARANCES	Each side (in.)	<b>1</b>
	Top (in.)	<b>1</b>
	Back (in.)	<b>2</b>