

# FURRION

## 30" BUILT-IN ELECTRIC FIREPLACE FF30SW15A



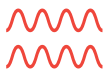
FF30SW15A-BL



FF30SW15A-SS



WORKS WITH  
UNIMOTE



VIBRATIONSMART™



CLIMATESMART™



OVERHEATING  
SAFETY CUT-OFF



SLIDE-OUT  
SAFETY CUT-OFF



TEMPERATURE  
CONTROL SETTINGS



HEAT UP  
TO 500sq.ft



SIMULATED WOOD  
WITH 4-LEVEL LED  
FLAME TECHNOLOGY

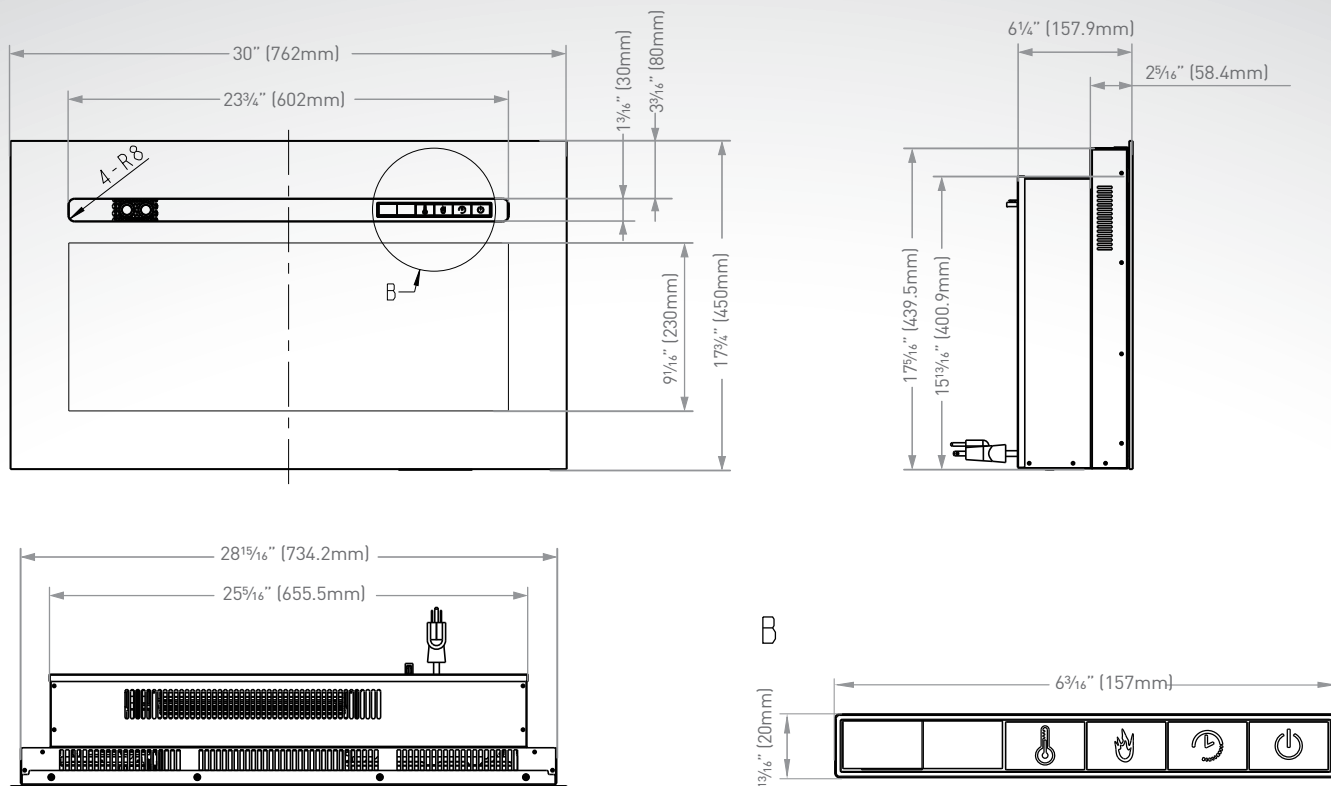


TIMER

- Flame effect technology: traditional flame
- 4 flame brightness settings
- Black tempered glass front panel
- LED control board
- Temperature control
- Slide-out safety cut-off: close proximity sensor switches power off automatically
- Adjustable temperature settings from 65°F to 95°F
- Timer setting up to 5 hours
- Remote control included



# FF30SW15A | 30" BUILT-IN ELECTRIC FIREPLACE



## Specifications

Rated Voltage	AC 120V/60Hz
Heating Output	750W/1500W
LED Control Board	✓
Timer	✓
Log Fuel Effect	✓
Remote Type	IR

## Dimensions

Product Size (W x H x D)	29 15/16" x 17 3/4" x 6 1/4" (760 x 450 x 158mm)
--------------------------	---

## Packaging Information

Packaging Type	Brown Carton Box
Quantity Per Box (pcs)	1
Individual Packaging Dimensions (W x H x D)	31 3/4" x 19 1/2" x 8" (805 x 495 x 202mm)
Individual Packaging Gross Weight (kg/lbs)	16.8/37
Individual Packaging Net Weight (kg/lbs)	14.5/32

## Box Container Qty

20' - Box Container Qty	344
40' - Box Container Qty	688
40'H - Box Container Qty	790

# FURRION

## 34" BUILT-IN ELECTRIC FIREPLACE FF34SW15A



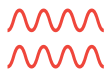
FF34SW15A-BL



FF34SW15A-SS



WORKS WITH  
UNIMOTE



VIBRATIONSMART™



CLIMATESMART™



OVERHEATING  
SAFETY CUT-OFF



SLIDE-OUT  
SAFETY CUT-OFF



TEMPERATURE  
CONTROL SETTINGS



HEAT UP  
TO 500sq.ft



SIMULATED WOOD  
WITH 4-LEVEL LED  
FLAME TECHNOLOGY

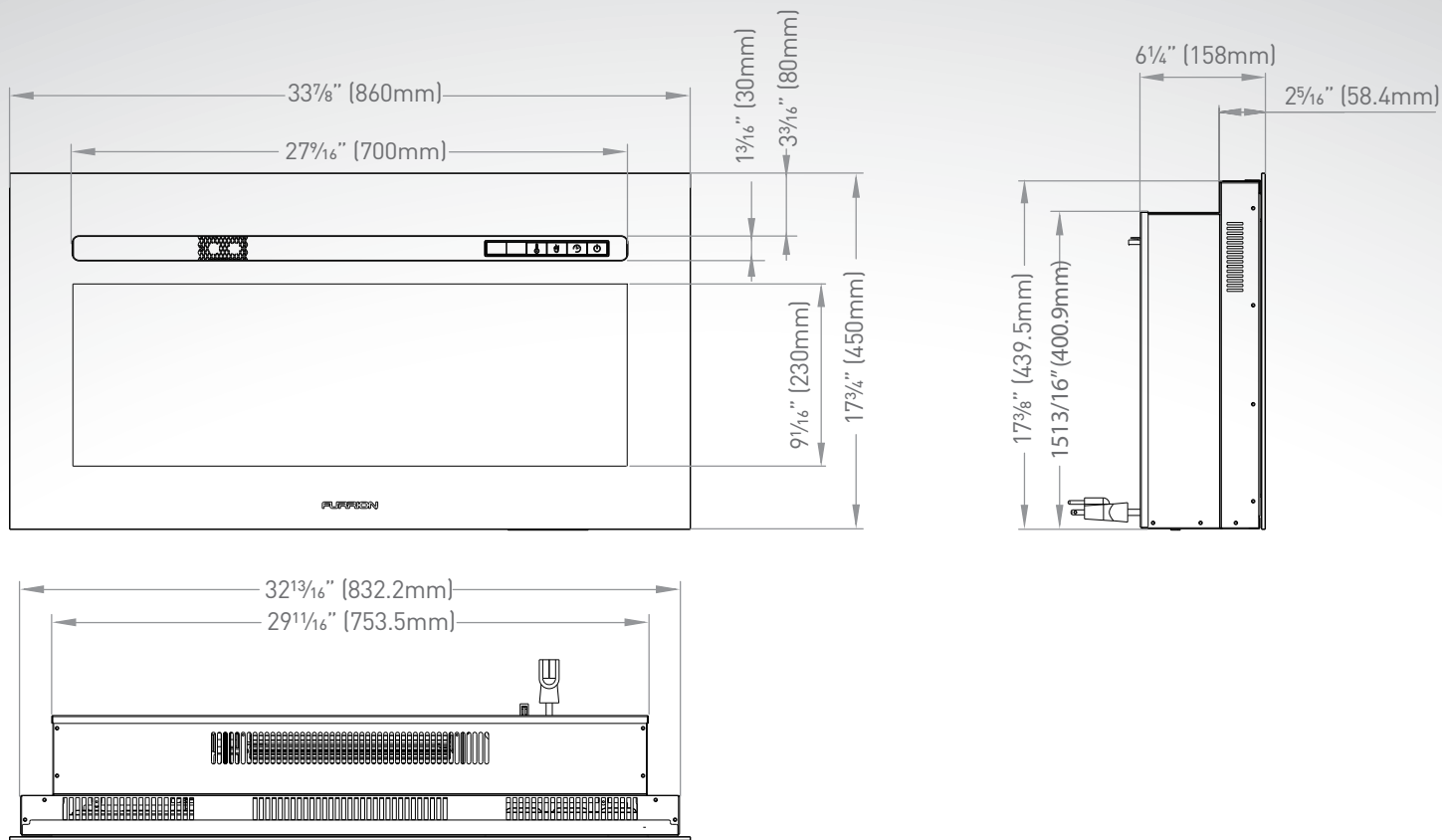


TIMER

- Flame effect technology: traditional flame
- 4 flame brightness settings
- Black tempered glass front panel
- LED control board
- Temperature control
- Slide-out safety cut-off: close proximity sensor switches power off automatically
- Adjustable temperature settings from 65°F to 95°F
- Timer setting up to 5 hours
- Remote control included



# FF34SW15A | 34" BUILT-IN ELECTRIC FIREPLACE



## Specifications

Rated Voltage	AC 120V/60Hz
Heating Output	750W/1500W
LED Control Board	✓
Timer	✓
Log Fuel Effect	✓
Remote Type	IR

## Dimensions

Product Size (W x H x D)	33 <sup>7</sup> / <sub>8</sub> " x 17 <sup>3</sup> / <sub>4</sub> " x 6 <sup>1</sup> / <sub>4</sub> " (860 x 450 x 158mm)
--------------------------	--

## Packaging Information

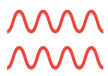
Packaging Type	Brown Carton Box
Quantity Per Box (pcs)	1
Individual Packaging Dimensions (W x H x D)	35 <sup>11</sup> / <sub>16</sub> " x 19 <sup>1</sup> / <sub>2</sub> " x 8" (905 x 495 x 202mm)
Individual Packaging Gross Weight (kg/lbs)	20/44.1
Individual Packaging Net Weight (kg/lbs)	17/37.5

## Box Container Qty

20' - Box Container Qty	300
40' - Box Container Qty	600
40'H - Box Container Qty	680



WORKS WITH  
UNIMOTE



VIBRATIONSMART™



CLIMATESMART™



OVERHEATING  
SAFETY CUT-OFF



SLIDE-OUT  
SAFETY CUT-OFF



TEMPERATURE  
CONTROL SETTINGS



HEAT UP  
TO 500sq.ft



SIMULATED WOOD  
WITH 4-LEVEL LED  
FLAME TECHNOLOGY

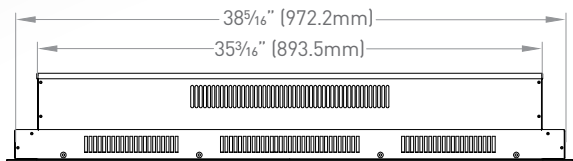
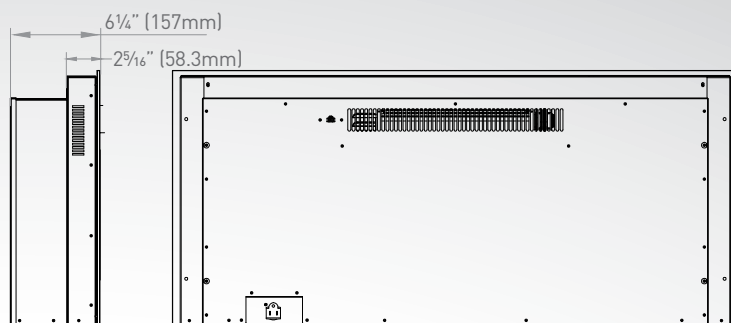
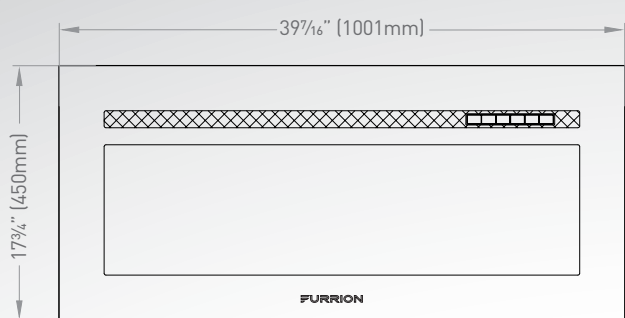


TIMER

- Flame effect technology: traditional flame
- 4 flame brightness settings
- Black tempered glass front panel
- LED control board
- Temperature control
- Slide-out safety cut-off: close proximity sensor switches power off automatically
- Adjustable temperature settings from 65°F to 95°F
- Timer setting up to 5 hours
- Remote control included



# FF40SW15A-BL | 40" BUILT-IN ELECTRIC FIREPLACE



## Specifications

Rated Voltage	AC 120V/60Hz
Heating Output	750W/1500W
LED Control Board	✓
Timer	✓
Log Fuel Effect	✓
Remote Type	IR

## Dimensions

Product Size (W x H x D)	39 7/16" x 17 3/4" x 6 1/4" (1001 x 450 x 157.5mm)
--------------------------	---

## Packaging Information

Packaging Type	Brown Box
Quantity Per Box (pcs)	1
Individual Packaging Dimensions (W x H x D)	49 13/16" x 19 1/2" x 8" (1045 x 495 x 202 mm)
Individual Packaging Gross Weight (kg/lbs)	22 / 48.5
Individual Packaging Net Weight (kg/lbs)	20 / 44.1

## Container Load Information

40'HQ Container Load (pcs)	615
----------------------------	-----

# FURRION

## 60" BUILT-IN ELECTRIC FIREPLACE FF60SW15A



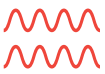
FF60SW15A-BL



FF60SW15A-SS



WORKS WITH  
UNIMOTE



VIBRATIONSMART™



CLIMATESMART™



OVERHEATING  
SAFETY CUT-OFF



SLIDE-OUT  
SAFETY CUT-OFF



TEMPERATURE  
CONTROL SETTINGS



HEAT UP  
TO 500sq.ft



SIMULATED WOOD  
WITH 4-LEVEL LED  
FLAME TECHNOLOGY



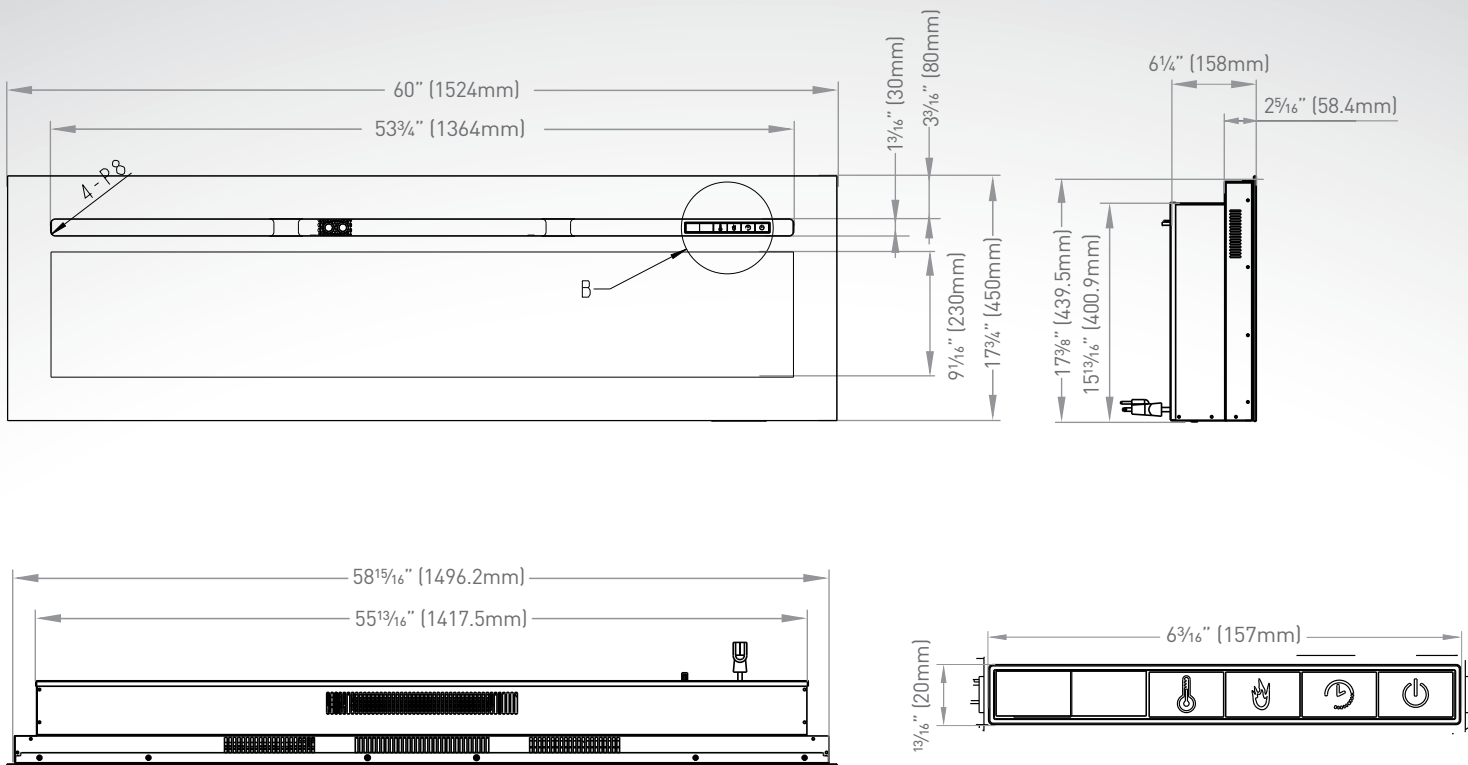
TIMER

- Flame effect technology: traditional flame
- 4 flame brightness settings
- Black tempered glass front panel
- LED control board
- Temperature control

- Slide-out safety cut-off: close proximity sensor switches power off automatically
- Adjustable temperature settings from 65°F to 95°F
- Timer setting up to 5 hours
- Remote control included



# FF60SW15A | 60" BUILT-IN ELECTRIC FIREPLACE



## Specifications

Rated Voltage	AC 120V/60Hz
Heating Output	750W/1500W
LED Control Board	✓
Timer	✓
Log Fuel Effect	✓
Remote Type	IR

## Dimensions

Product Size (W x H x D)	60" x 17 3/4" x 6 1/4" (1524 x 450 x 158mm)
--------------------------	--

## Packaging Information

Packaging Type	Brown Carton Box
Quantity Per Box (pcs)	1
Individual Packaging Dimensions (W x H x D)	62 3/8" x 22 13/16" x 8" (1583 x 577 x 202mm)
Individual Packaging Gross Weight (kg/lbs)	29/64
Individual Packaging Net Weight (kg/lbs)	27/59.6

## Container Load Information

45' HQ Container Load (pcs)	460
-----------------------------	-----

\* Note: "✓"=Equipped