

WINEGARD® Trav'ler® Pro

Automatic Multi-Satellite TV Antenna

Installation Manual

Model SK2SWM3

Trav'ler® Pro DIRECTV® Antenna



To download the manual in color and for up-to-date product and warranty information, visit winegard.com/travler

For Technical Services:

Email help@winegard.com or call 1-800-788-4417

For receivers and programming:

Call 1-866-609-9374

Product registration:

Create an account to register your product at winegard.com/register



2452460

2452460 REV 5-21

Before Installing the Antenna

You have selected the Winegard® Trav'ler® Pro automatic multi-satellite TV antenna, with a low travel height (*under ten inches*). The Trav'ler Pro antenna will deliver the ability to view multiple satellites at the same time with unmatched signal strength, maximum HD capabilities, and easy-to-use functionality—just like you get at home. This manual provides important information on the installation of your Trav'ler Pro antenna on an RV. Please take time to read the manual in its entirety before installing or operating your antenna.

Specifications

Depending on location and DIRECTV® receiver type, the following satellites can be accessed with the SK2SWM3 during automatic operation: 99°, 101°, 103°.

Assembled unit (stowed): 9.943" H x 34" W x 44" L

Mount base: 21" W x 24" L

Unit weight: 45 pounds

Shipping weight: 73 pounds

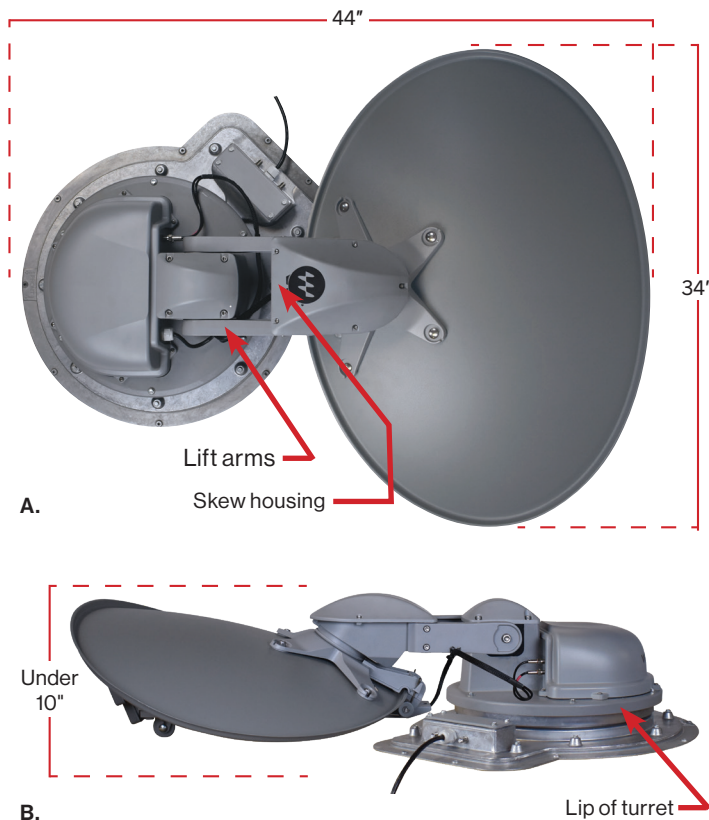


FIGURE 1.A. Dimensions of SK2SWM3
B. Stowed
A,B. Location of skew housing, lift arms, and lip at the base of the turret

Safety Recommendations

Do not attempt to install this system in the rain or under any wet conditions. Moisture may affect electronics and void your warranty.

Do not paint this antenna. Painting the Trav'ler Pro antenna will void your warranty.

Pay attention to the pinch point as the antenna raises. The pinch point should be labeled on the antenna (see figure 2). Make sure the pinch point is free of obstructions during the raise or stow sequence.

If you do not have access to a scissor lift, the recommended way to carry the turret assembly to the roof is by the skew housing, lift arms, or the lip at the base of the turret.

Do NOT carry the turret assembly by the feed arm or plastic bracket at the end of the feed arm/LNB assembly (figures 1.A,B).

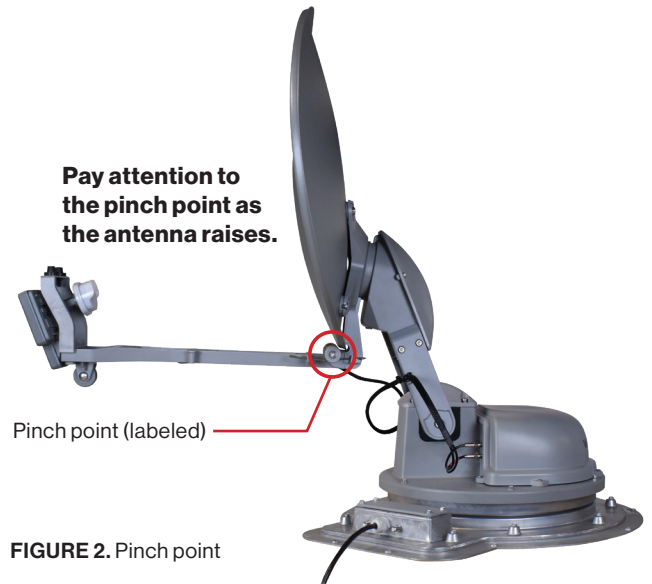
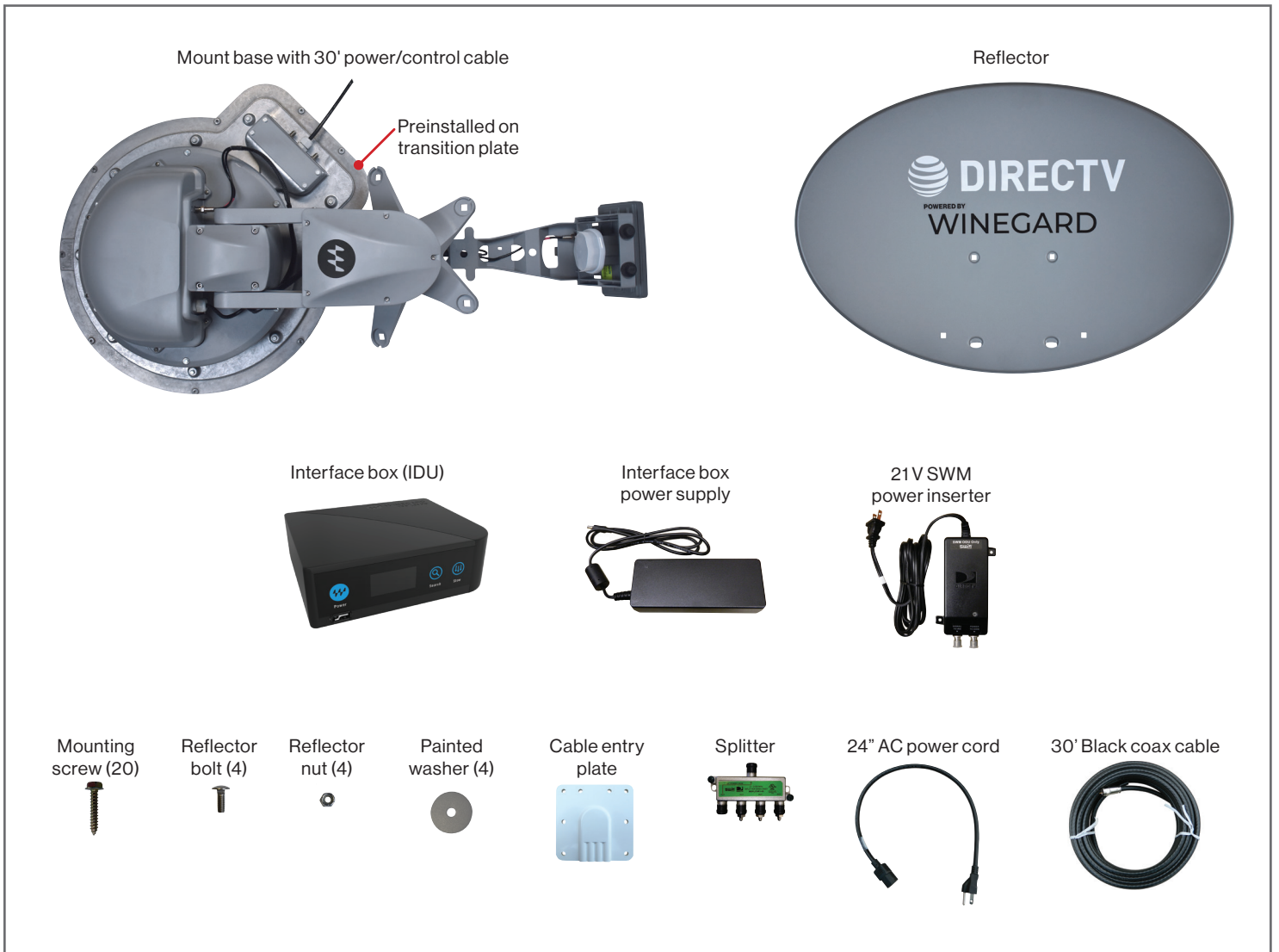


FIGURE 2. Pinch point

Parts



Tools Needed

(Not included)

1/2 " wrench or socket

5/16" nut driver or standard screwdriver

Cordless drill

1" drill bit or hole saw

7/16" wrench (for coax fittings)

RV manufacturer recommended Dicor or lap sealant

Clearance Requirements

The arm of the Trav'ler Pro antenna extends 33" from the center of the base and may operate only 5" above the surface to which the Trav'ler Pro antenna is mounted. **To ensure you have adequate clearance for the Trav'ler Pro antenna to safely operate, check that there are no obstructions taller than 5" within 33" of the center of the base.**

Also, check that there are no obstructions (such as tree limbs) above the antenna that will prevent it from raising. At its highest point, the antenna will extend to 37.5" above the roof to which it is mounted (see figure 3).



FIGURE 3. Range of motion for Trav'ler Pro SK2SWM3 antenna

Choose Antenna Location

1. For best performance and to reduce signal-acquisition time, park the vehicle on a level surface that is free of obstructions such as trees or large buildings. Make sure you have a clear view of the southern sky.
2. Before removing the Trav'ler Pro antenna from its box, contact your RV dealer or manufacturer. Your RV may be pre-wired or have a reinforced area for this system.
3. Then, choose a location on the roof that meets the following requirements:
 - a. Offers enough support for a secure installation.
 - b. Allows antenna to raise and rotate without interference from other roof-mounted equipment.
 - c. Has a minimum roof space of 44" x 34" for the antenna (figure 4).
 - d. Lacks obstructions taller than 5" mounted within a 33" radius from the center of the Trav'ler Pro base. See page 4, figure 5.
 - e. Has a gap of less than 3/16" between the bottom of the transition plate and the roof.
 - f. Is within 5 degrees of level, or the system may require more time to locate satellites (for best operation, must be within 3 degrees of level).

Choose a Location for the Cables to Enter the Vehicle

Once you have chosen a location for the Trav'ler Pro antenna, select a location for the cables to enter the vehicle. Keep in mind the following:

1. The Trav'ler Pro interface box (IDU) must plug into a 110 V outlet, and requires adequate ventilation.
2. The 24" AC power cord must be long enough to extend from the outlet to the IDU power supply, which will then connect to the IDU.
3. The 30' power/control cable must be long enough to extend from the antenna base to the IDU.
4. The power inserter must be mounted inside the vehicle, but the splitter can be mounted on the roof of the vehicle (see page 5, figures 7 and 8).
5. Wires should not be run through the striped area (see figure 4). Anything in the striped area will interfere with the operation of the Trav'ler Pro antenna and may cause damage to the object or to the antenna.

Make sure cables are long enough to reach their destination points inside the vehicle. For power/control cable runs longer than 30', an extension may be purchased. Winegard recommends using Model CL-SK26 25' extension cable.

Do not exceed 55' of cable!

WARNING Do not install the antenna in a location where a gap of 3/16" or more exists between the bottom of the transition plate and the roof, as the antenna may damage the roof.

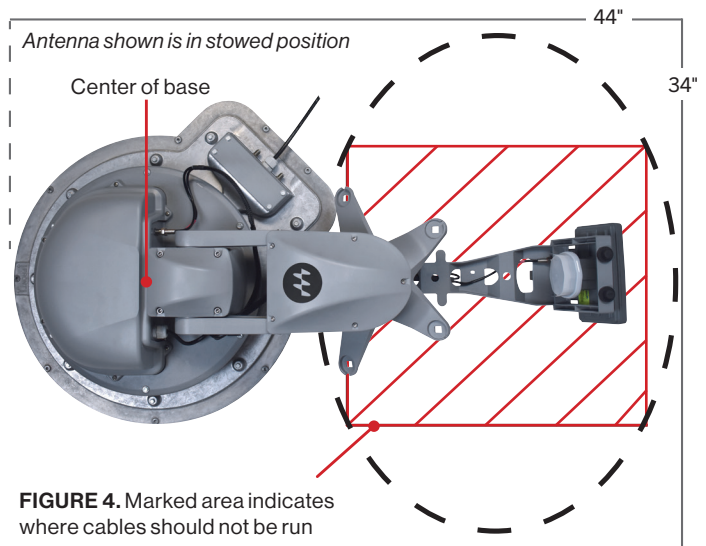




FIGURE 4. Marked area indicates where cables should not be run

WARNING Winegard is NOT liable for damage, expenses, or injury caused by improper installation.

Install the Antenna

New Installation (for upgrade instructions go to pg 7)

1. Place the Trav'ler Pro antenna on the roof where you plan to install it. On the mount base, the transition plate is marked "FRONT" and "BACK." Rotate the Trav'ler Pro antenna until the front of the mount base faces the front of the RV. **The Trav'ler Pro antenna must be installed on or parallel to the centerline of the coach** (see figure 5). If you are upgrading from the original Trav'ler to the Trav'ler Pro, skip to page 7.
2. Verify that the part of the transition plate marked "FRONT" is facing the front of the vehicle (see inset at right).
3. Mark the location where the nine screw holes will go through the transition plate. It is important that you can see these marks on the roof of the RV. Then, move the mount base out of the installation area. **It is recommended that you do not pre-drill the screw holes at this time.**
4. To prevent water from getting into the mount base, use a solid line of approved sealant to connect the marks in the shape of the base. This step must be completed, or the unit may fail due to corrosion. Replace the Trav'ler Pro antenna base. 
5. Before using the supplied mounting screws, check with your vehicle manufacturer for any special screw requirements. Then, screw the antenna base to the roof using nine mounting screws.
6. Run a solid bead of sealant around the edge where the transition plate meets the roof, making sure to cover each screw head. Be careful not to get any sealant above the transition plate (see figure 6). 

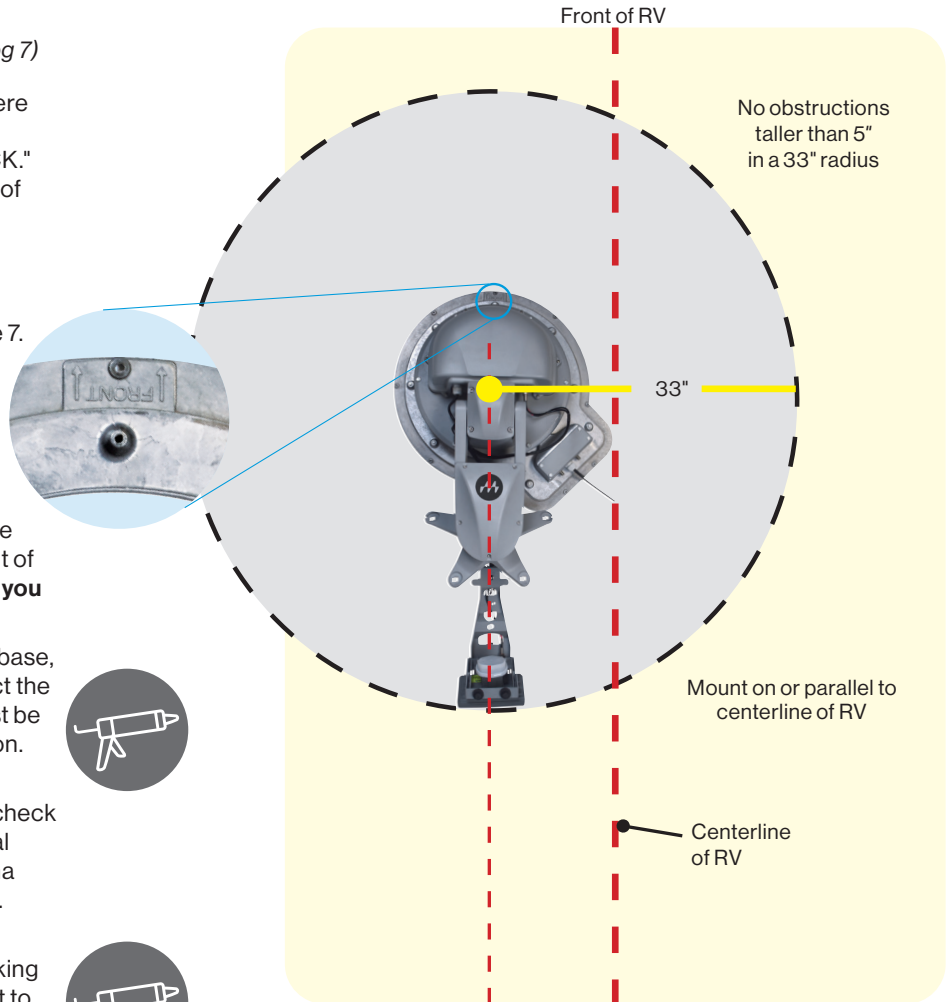



FIGURE 5. Antenna (without reflector) installed parallel to centerline of RV

TIP When installing the antenna on a rubber roof, Winegard recommends using a model SKA-004 roller plate, which is designed to create a solid landing area for the roller. If not using this plate, make sure that the roller does not come in contact with any rib supports or bubbles in the roof when in operation. Failure to do so may result in damage to the roof.



SKA-004
Sold separately

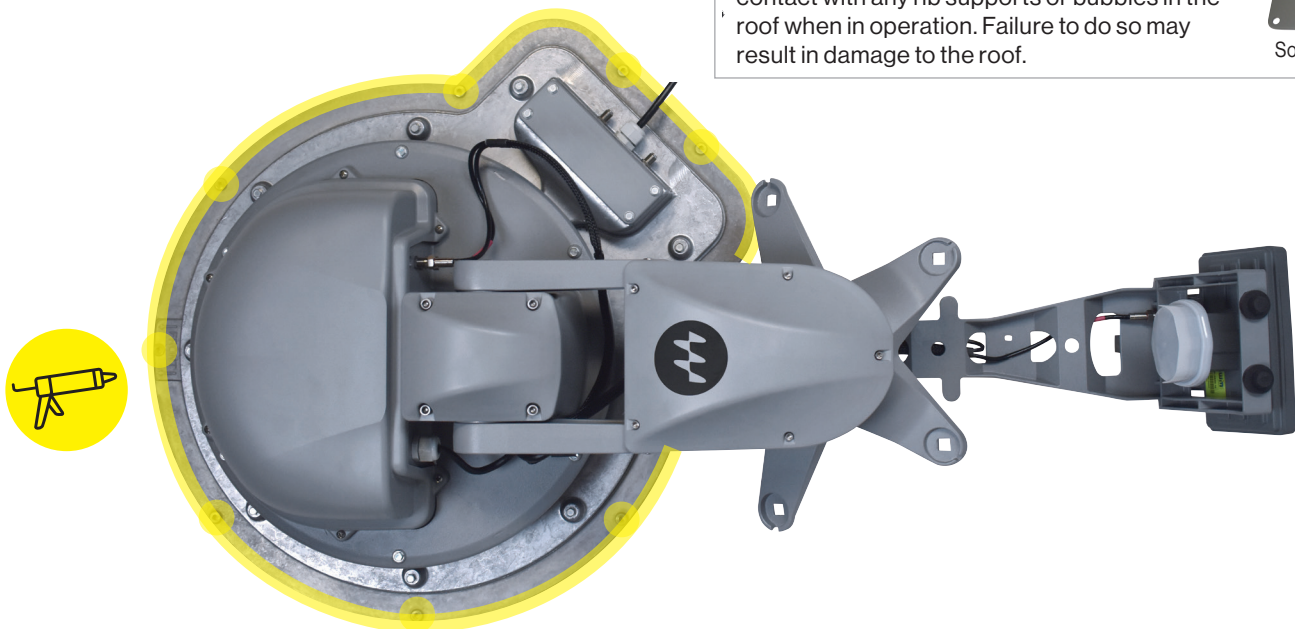


FIGURE 6. Area to apply sealant; cover screw heads; no sealant above the transition plate

Overall Setup

1. Drill a 1" hole in the roof, and push the power/control cable (and coax cable for **OPTION 1**) through the hole. (For **OPTION 2**, if you would like any cables running from the splitter to enter the roof at this same point, push the cable(s) through this hole.) Place the supplied cable entry plate over the hole and cables, and screw the plate in place using eight of the supplied mounting screws. Seal the plate, screw holes, and other drilled holes with approved sealant (not included).



TIP Depending on the length of the cable on the roof, you may need to use cable clamps between the unit and the cable entry plate. Clamping every 12–16" should eliminate any unnecessary cable movement.

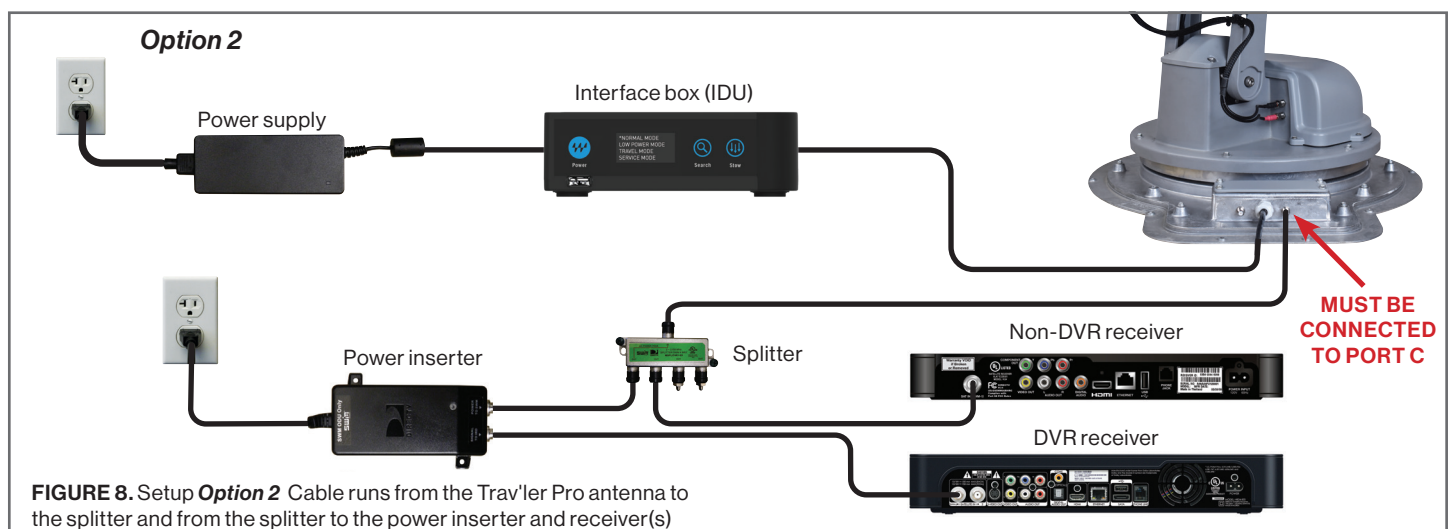
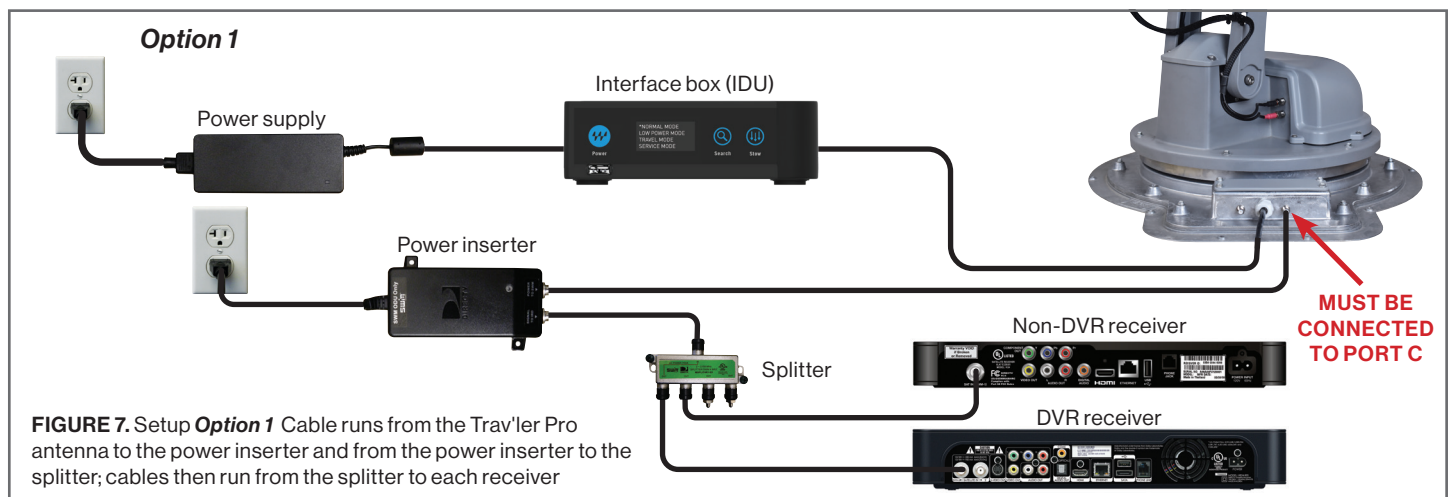
2. Connect the power/control cable running from the mount base to the "POWER— COMM" port of the IDU.

3. Connect the power supply to the "48 VDC" port of the IDU.
4. Connect one end of the AC power cord to the power supply and the other end to a 110 V outlet. Powering on the IDU will not raise the antenna.
5. Connect a coax cable running from port "C" of the mount base to: **OPTION 1**: the "POWER TO SWM" port of the power inserter or **OPTION 2**: the "In from SWM" port of the splitter.
6. Connect a coax cable from: **OPTION 1**: the "SIGNAL TO IRD" port of the power inserter to the "In from SWM" port of the splitter or **OPTION 2**: the "POWER TO SWM" port of the power inserter to the "Out 1" port of the splitter, and connect the "SIGNAL TO IRD" port of the power inserter to a receiver. **The "Out 1" port of the splitter is the only port that is power passive.** Therefore, the power inserter must be connected to this port of the splitter. Terminate unused splitter outputs with a 75 ohm termination cap.
7. Connect a coax cable from the splitter to each receiver. The receiver(s) should already be connected to the TV(s).
8. Plug in the power inserter to a 110 V outlet.

WARNING Only port C should be used for making connections to the mount base. Do not connect the power inserter or receivers to port A. Multiple receivers will connect to the mount base via the splitter.

WARNING The power inserter should not be mounted on the roof of the vehicle. The power inserter must always be installed inside the vehicle.

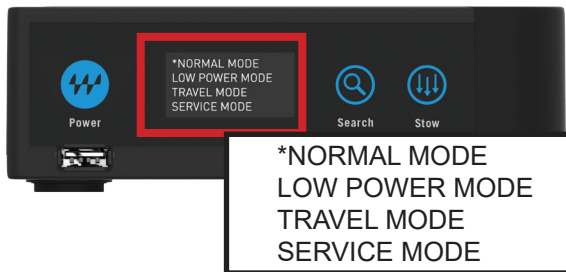
TIP The splitter can be mounted on the roof of the vehicle. However, the power inserter must always be installed inside the vehicle. If hooking up the antenna to only one receiver, the splitter is not needed, but the power inserter must still be installed.



Install the Reflector (New Install)

When the sealant around the transition plate and cable entry plate has begun to cure, check that there is nothing above the unit that might prevent the antenna from raising. Then follow the instructions to raise the antenna for reflector installation.

1. Once the power cord (48 V DC) is applied to back of the IDU, the IDU will automatically power on. Powering on the IDU will not raise the antenna. Please wait until the READY state appears on screen to continue.
2. To access SERVICE MODE on the IDU, press and hold the Power button for three seconds. This will bring up the SETTINGS MENU in the IDU.



WARNING Entering SERVICE MODE will raise the antenna. Please check for obstructions prior to selecting CONFIRM to enable SERVICE MODE.

3. By pressing the Search (up) or Stow (down) button you can scroll through the available options until the asterisk is next to SERVICE MODE. Pressing the Power button will confirm your selection.

SERVICE MODE
WILL RAISE
ANTENNA
CANCEL *CONFIRM

4. Pressing the Search button (left) or Stow button (right) allows you to scroll left and right on the cancel and confirm options. Pressing the Power button will confirm your selection.
5. Once SERVICE MODE has been confirmed, the antenna will automatically raise.
6. Proceed to the roof to install the reflector.
7. Line up the four holes on the reflector with the four holes on the mounting bracket. Insert a reflector bolt through one of the four holes on the back of the reflector. Insert one painted washer and thread a nyloc nut onto each bolt, tighten the nut to secure the reflector to the mounting bracket, making sure to tighten the nut until it is flush with the washer. Overtightening will bend the washer. Repeat process until all four holes are secure. See figures 9 and 10.
8. Once installed, press and hold the Power button for three seconds to re-enter the SETTINGS MENU.
9. With the asterisk next to NORMAL MODE, press the Power button to confirm selected mode. This will leave the satellite antenna up and in the ready state.

*NORMAL MODE
LOW POWER MODE
TRAVEL MODE
SERVICE MODE

10. Press Stow on the IDU to initiate the stow sequence. Once stowed, you are ready to operate your Trav'ler Pro!

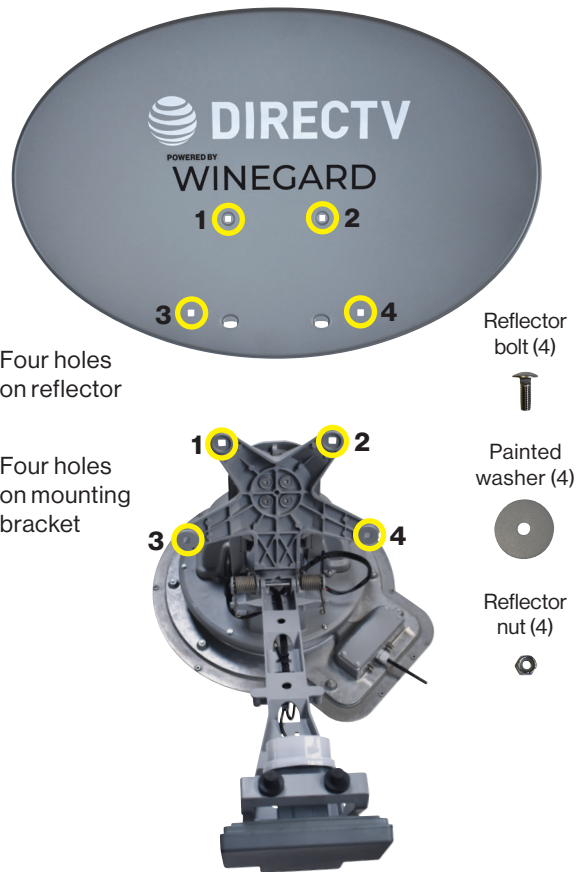


FIGURE 9. Reflector alignment points

TIP Bolts are inserted from the back of the reflector. Washers and nuts are threaded onto the bolts from the front of the reflector.

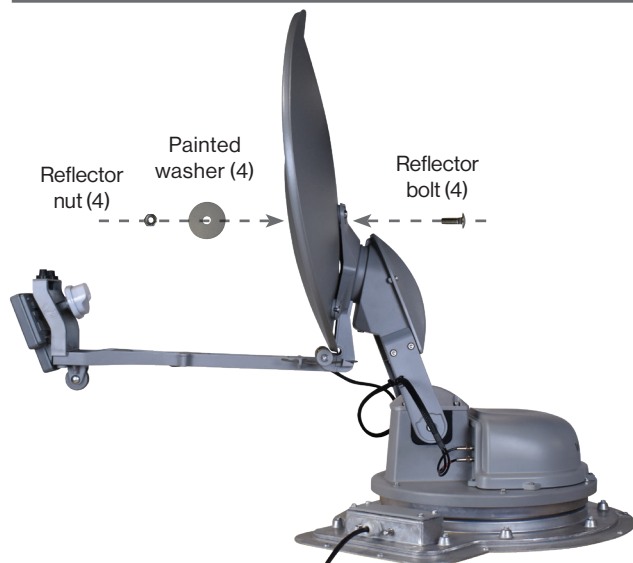


FIGURE 10. Attach reflector with four bolts (back of reflector), washers and nuts (front of reflector)

Torque- Minimum 35 in.-lb. Maximum 50 in.-lb.

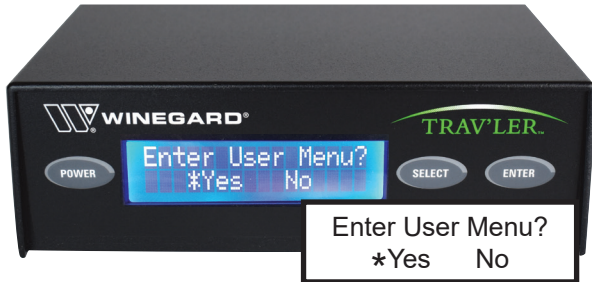
NOTE Be sure to tighten an additional quarter turn with a wrench to confirm proper torque/tightness.

WARNING When using an impact wrench you do not have to tighten the lower nuts on the DIRECTV model an additional quarter turn.

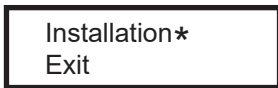
Upgrade to Trav'ler Pro

Raise the Antenna.

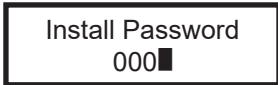
1. Power on the IDU by pressing and holding the Power button for three seconds, then press and hold the Enter button to enter the USER MENU.
2. Once "Enter User Menu?" appears, press the Select button to move the asterisk to "Yes" and press ENTER.



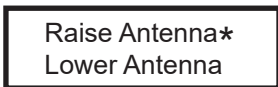
3. Press SELECT twice until "Installation" is on the top line with an asterisk and press ENTER.



4. You will be prompted to enter the password. Press ENTER four times.



5. Press SELECT until "Raise Antenna" is on the top line with an asterisk and press ENTER.



6. Press SELECT to move the asterisk to "Yes" and press ENTER. You will need to repeat the "Raise Antenna" process until you see the "Raise Antenna Motor Stalled" message.



Power off IDU by pressing and holding POWER and SELECT simultaneously. If done correctly, you will receive a "Powering Off Thank You" message.

7. Please unplug the power/control cable by pressing down the locking tab and gently pulling the cable out of the "DC OUT/ ANT. COMM." terminal. Now remove the DC power cord from the "DC IN" terminal.



8. Proceed to the roof to remove the turret.

Disconnect the Cables

1. Remove the four 5/16" screws from the cable cover, and remove the cable cover (figure 11).

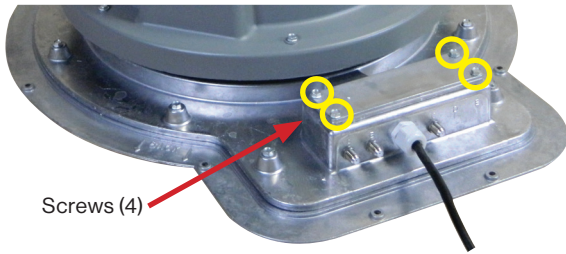


FIGURE 11. Remove the four screws on the cover.

2. Unclip the power coupler from the internal power cable. Unthread and remove the power/control cable retaining nut located inside the turret. See figures 12 and 13.

NOTE You may need to use an adjustable wrench to loosen the retaining nut.

WARNING Be careful not to lose the retaining nut inside the turret.

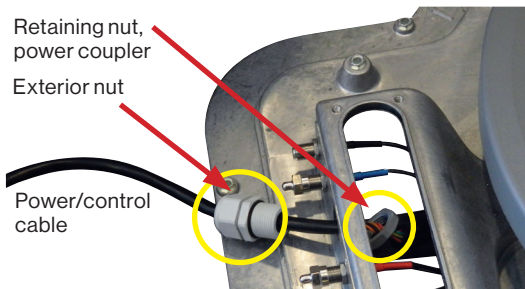


FIGURE 12. Unclip the power coupler

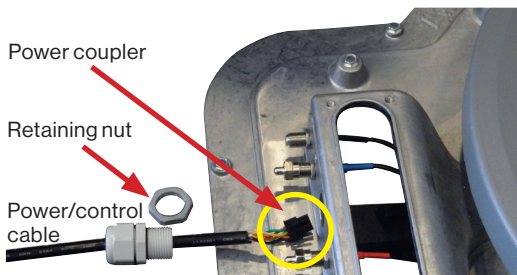


FIGURE 13. Power coupler unclipped

Remove the Reflector (optional)

Once the IDU has been powered off and the power/control cable and power cord have been disconnected you will need to get on top of the coach. The tools needed are a 1/2" wrench or socket.

1. To remove the reflector, unscrew the two 1/2" nuts from the back of the reflector using a 1/2" wrench or socket. Lift the reflector up and off of the bottom clips on the turret.

Remove the Turret

1. Remove the nine 5/16" screws around the edge of the transition plate (see figure 14).

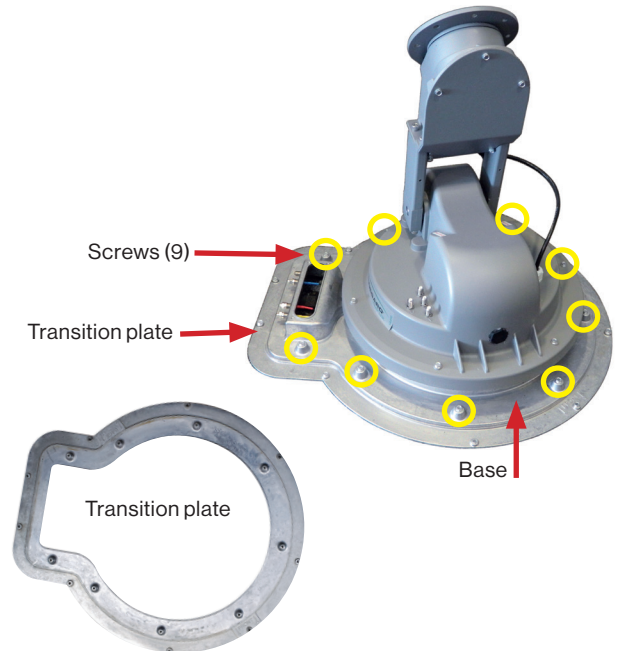


FIGURE 14. Remove turret from transition plate

Install the New Turret

1. If the base seal or gasket is on the transition plate make sure to remove both (see Figure 15).

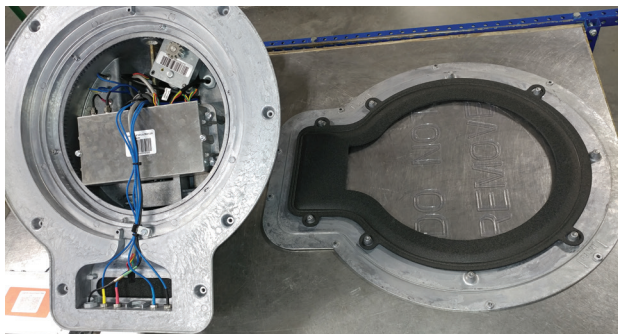
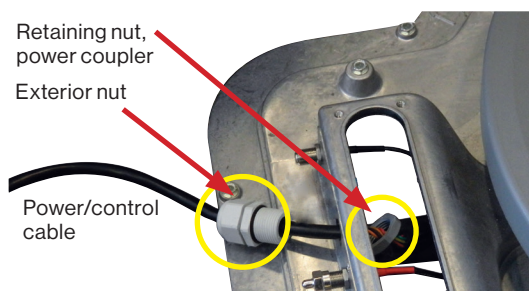
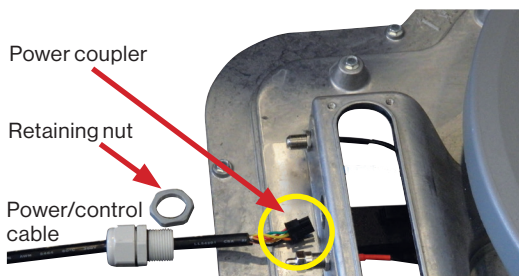


FIGURE 15. Base, seal, and gasket

2. The Trav'ler Pro has a new gasket included. Once the mounted transition plate has been cleared of the base seal and gasket, you will need to remove the Trav'ler Pro from its transition plate by removing the nine 5/16" screws similar to the "Remove the Turret" instructions on page 8.
3. Place the new gasket on the original transition plate, place the Trav'ler Pro turret on the transition plate and install the nine 5/16" screws.

Reconnect the Cables

1. Remove the four 5/16" screws from the cable cover, and remove the cable cover.
2. Reinstall the power/control cable by threading the power coupler to the inside of the turret and through the retaining nut. Clip the power/control cable to the internal power cable. Once connected, tighten down the retaining nut. See figures 16 and 17.
3. Tighten the exterior nut for the 30' power/control cable.
4. Place gasket and cable cover back into position and reinstall the four screws (5/16").



FIGURES 16, 17. Reinstall the cables

Replace IDU and Power Supply

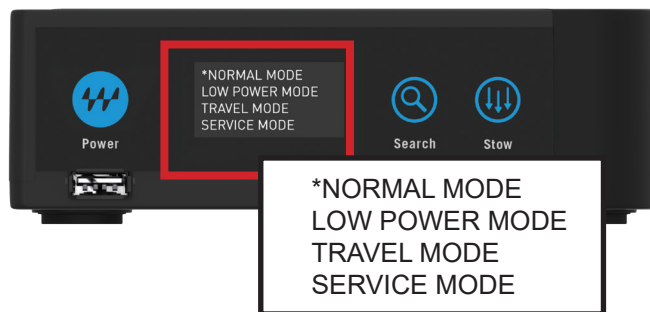
1. At this point replace the original IDU and power supply with the Trav'ler Pro IDU and power supply. Make sure the power/control cable and the 48 VDC power cord are connected before connecting the power supply to a 110 V outlet.



Upgrade Reflector Installation

Check that there is nothing above the unit that might prevent the antenna from raising. Then follow the instructions to raise the antenna for reflector installation.

1. Once the power cord (48 VDC) is applied to back of the IDU, the IDU will automatically power on. Powering on the IDU will not raise the antenna. Please wait until the "READY" state appears on screen to continue.
2. To access SERVICE MODE on the IDU, press and hold the Power button for three seconds. This will bring up the SETTINGS MENU in the IDU.



WARNING Entering "SERVICE MODE" will raise the antenna. Please check for obstructions prior to selecting (pressing Power) "CONFIRM" to enable SERVICE MODE.

3. By pressing the Search (up) or Stow (down) button you can scroll through the available options until the asterisk is next to SERVICE MODE. Pressing the Power button will confirm your selection.

SERVICE MODE
WILL RAISE
ANTENNA
CANCEL *CONFIRM

4. Pressing the Search button (left) or Stow button (right) allows you to scroll left and right on the CANCEL AND CONFIRM options. Pressing the Power button will confirm your selection.
5. Once SERVICE MODE has been confirmed, the antenna will automatically raise.
6. Proceed to the roof to install the reflector.

Upgrade Reflector Installation cont.

- Line up the four holes on the reflector with the four holes on the mounting bracket. Insert a reflector bolt through one of the four holes on the back of the reflector. Insert one painted washer and thread a nyloc nut onto each bolt, tighten the nut to secure the reflector to the mounting bracket, make sure to tighten the nut until it is flush with the washer. Overtightening will bend the washer. Repeat process until all four holes are secure. See figures 18 and 19.
- Once installed, press and hold the Power button for three seconds to re-enter the SETTINGS MENU.
- With the asterisk next to NORMAL MODE, press the Power button to confirm selected mode. This will leave the satellite antenna up and in the ready state.

*NORMAL MODE
 LOW POWER MODE
 TRAVEL MODE
 SERVICE MODE

- Press Stow on the IDU to initiate the stow sequence. Once stowed, you are ready to operate your Trav'ler Pro!

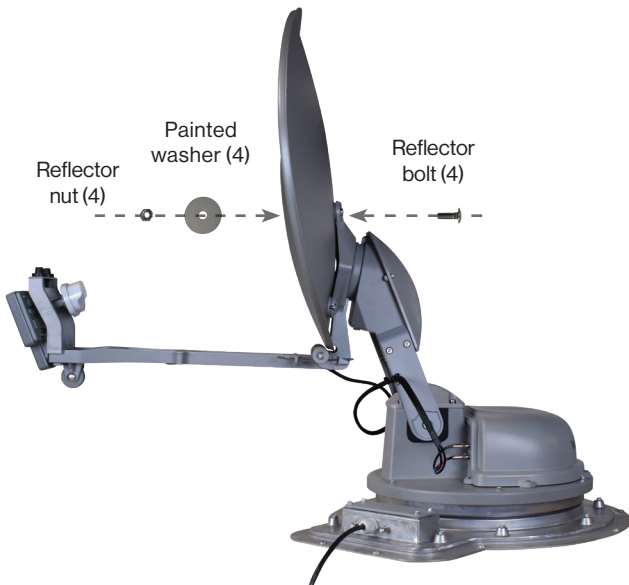


FIGURE 18. Attach reflector with four bolts (back of reflector), washers and nuts (front of reflector)

Torque- Minimum 35 in.-lb. Maximum 50 in.-lb.

NOTE Be sure to tighten an additional quarter turn with a wrench to confirm proper torque/tightness.

WARNING When using an impact wrench you do not have to tighten the lower nuts on the DIRECTV model an additional quarter turn.

TIP Bolts are inserted from the back of the reflector. Washers and nuts are threaded onto the bolts from the front of the reflector.



Four holes on reflector

Four holes on mounting bracket

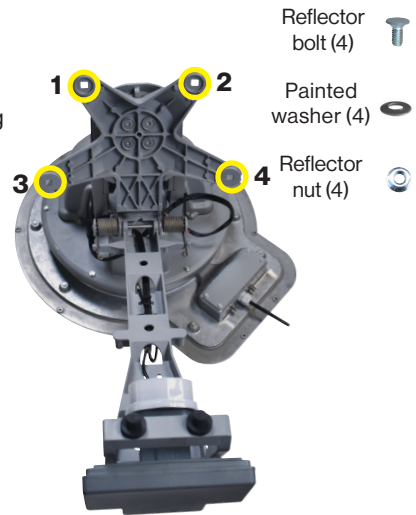


FIGURE 19. Bolt, washer, and nut placement

**WINEGARD MOBILE PRODUCTS LIMITED WARRANTY
(2 YEARS PARTS; 1 YEAR LABOR)**

Winegard Company warrants this product against defects in materials or workmanship for a period of two (2) years from the date of original purchase. During year one (1) of such warranty, Winegard Company will also pay authorized labor costs to an authorized Winegard dealer to repair or replace defective products. No warranty claim will be honored unless at the time the claim is made, Customer presents proof of purchase to an authorized Winegard dealer (to locate the nearest authorized Winegard dealer, contact Winegard Company, 3000 Kirkwood Street, Burlington, Iowa 52601, Telephone 800-288-8094 or visit www.winegard.com). Customer must provide proof of purchase with a dated sales receipt for the Winegard product to verify the product is under warranty. If the date of purchase cannot be verified, the warranty period shall be considered to begin thirty (30) days after the date of manufacture.

If a defect in material or workmanship is discovered, Customer may take the product to an authorized Winegard dealer for service. Customer must provide proof of purchase to verify the product is under warranty. If the product is brought to an authorized Winegard dealer for service prior to expiration of year one (1) of the warranty period and a defect in material or workmanship is verified by Winegard Technical Services, Winegard Company will cover the Winegard dealer's labor charges for warranty service. The Winegard dealer must contact Winegard Technical Services in advance for pre-approval of the service. Approval of the service is at the sole discretion of Winegard Company.

Alternatively, Customer may ship the product prepaid to Winegard Technical Services (located at 2736 Mt. Pleasant Street, Burlington, Iowa 52601, Telephone 800-788-4417). Customer must return the product along with a brief description of the problem and provide Winegard Technical Services with Customer's name, address, and phone number. Customer must also provide proof of purchase to verify the product is under warranty. If the product is returned before the expiration of the warranty period, Winegard Company will (at its option) either repair or replace the product.

This Limited Warranty does not apply if the product has been damaged, deteriorates, malfunctions or fails from: improper installation, misuse, abuse, neglect, accident, tampering, modification of the product as originally manufactured by Winegard in any manner whatsoever, removing or defacing any serial number, usage not in accordance with product instructions or acts of nature such as damage caused by wind, lightning, ice or corrosive environments such as salt spray and acid rain. This Limited Warranty also does not apply if the product becomes unable to perform its intended function in any way as a result of the television signal provider making any changes in technology or service.

RETURN AUTHORIZATION POLICY

A Return Material Authorization (RMA) is required prior to returning any product to Winegard Company or Winegard Warranty Services under this warranty policy. Please call our Technical Services Department at 800-788-4417 or send an e-mail to warranty@winegard.com to obtain the RMA number. Please furnish the date of purchase when requesting an RMA number. Enclose the product in a prepaid package and write the RMA number in large, clear letters on the outside of the package. To avoid confusion or misunderstanding, a shipment(s) without an RMA number(s) or an unauthorized return(s) will be refused and returned to Customer freight collect.

WINEGARD COMPANY DOES NOT ASSUME ANY LIABILITIES FOR ANY OTHER WARRANTIES, EXPRESS OR IMPLIED, MADE BY ANY OTHER PERSON.

ALL OTHER WARRANTIES WHETHER EXPRESS, IMPLIED OR STATUTORY INCLUDING WARRANTIES OF FITNESS FOR A PARTICULAR PURPOSE AND MERCHANTABILITY ARE LIMITED TO THE TWO YEAR PERIOD OF THIS WARRANTY.

In states that do not allow limitations on implied warranties, or the exclusion of limitation of incidental or consequential damages, the above limitations or exclusions do not apply.

Some states do not allow limitations on how long an implied warranty lasts, or the exclusion of limitation of incidental or consequential damages, so the above limitations or exclusions may not apply to you.

This warranty gives Customer specific legal rights. Customer may also have other rights that may vary from state to state.

SATELLITE RECEIVER WARRANTY

See manufacturer's limited warranty policy.

WS-MOBWARREV3

Disclaimer: Although every effort has been made to ensure that the information in this manual is correct and complete, no company shall be held liable for any errors or omissions in this manual. Information provided in this manual was accurate at time of printing. The satellite interface is designed specifically for use with motorized recreational vehicles, and information contained herein is provided for that purpose only. Winegard and Trav'ler are registered trademarks of Winegard Company. DIRECTV is a trademark of AT&T Intellectual Property and/or AT&T affiliated companies.

Winegard Company • 3000 Kirkwood Street • Burlington, IA 52601 • 1-800-288-8094 • Fax 319-754-0787 • www.winegard.com

Printed in U.S.A. ©2020 Winegard Company Rev 5-21 2452460