

ASSEMBLY AND INSTALLATION INSTRUCTIONS

- DJX LIFT LADDER
- EFL LIFT LADDER
- EWI FLOATING LADDER

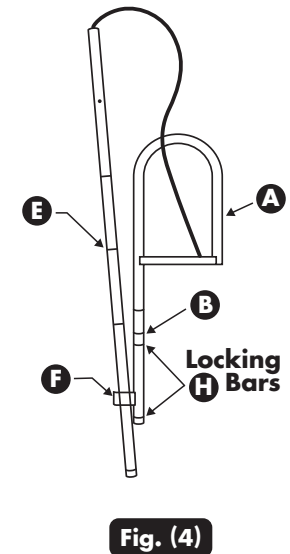
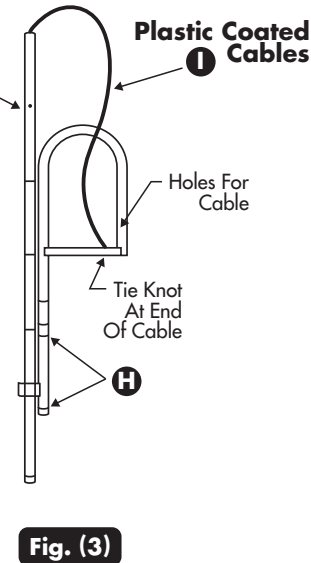
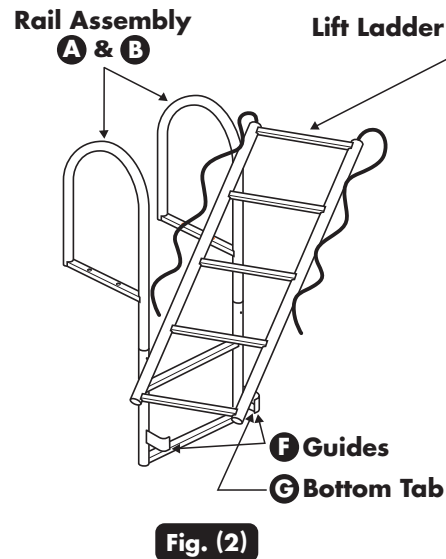
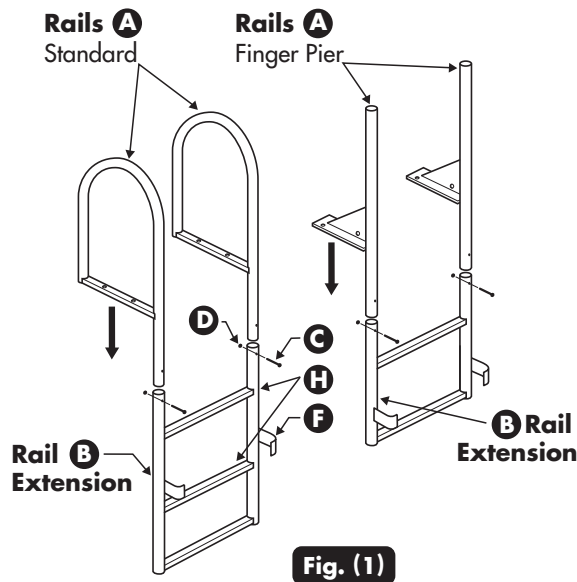


Fig. 1. Insert RAILS A into RAIL EXTENSION B. Insert supplied Bolts C with the bolt head on the front of the ladder, as shown. Attach Nuts D and tighten.

Fig. 2. Attach Lift Ladder E to Rail Assembly A & B by tilting the Lift Ladder E as shown to allow Bottom Tab G to go under Guide F. Align Lift Ladder E parallel to Rail Assembly A & B and lower Lift Ladder E until it locks in place as shown in Figure 3.

Fig. 3. Be sure that the Plastic Coated Cables I are around the outside of the RAILS A and insert Plastic Coated Cable I into holes (downward) in RAILS A until they come out the bottom. Tie a knot at the end of Cables I and pull them back up until they stop.

Install assembled ladder using 1/2" stainless steel or hot dipped galvanized bolts or screws with flat washers appropriate to the application (not supplied).

INSTRUCTIONS FOR USE

Fig. 4. Hold Cables I and lift upward slightly in order to release Lift Ladder E from the Locking Bars H.

Keep the Lift Ladder E parallel to the Rail Assembly A & B, lean Lift Ladder E out and lower or raise to desired height.

At desired height, lean Lift Ladder E in and lower it until it locks into place.

SAFETY Any ladder can be dangerous if installed or used improperly

- ALWAYS**
- Face ladder when going up or down
 - Step in the center of ladder steps, not on either side
 - Restrict use of the ladder to one person at a time
 - Check all steps and hardware before using
 - Keep fingers and toes clear of pinch points
 - Avoid diving or jumping from ladder