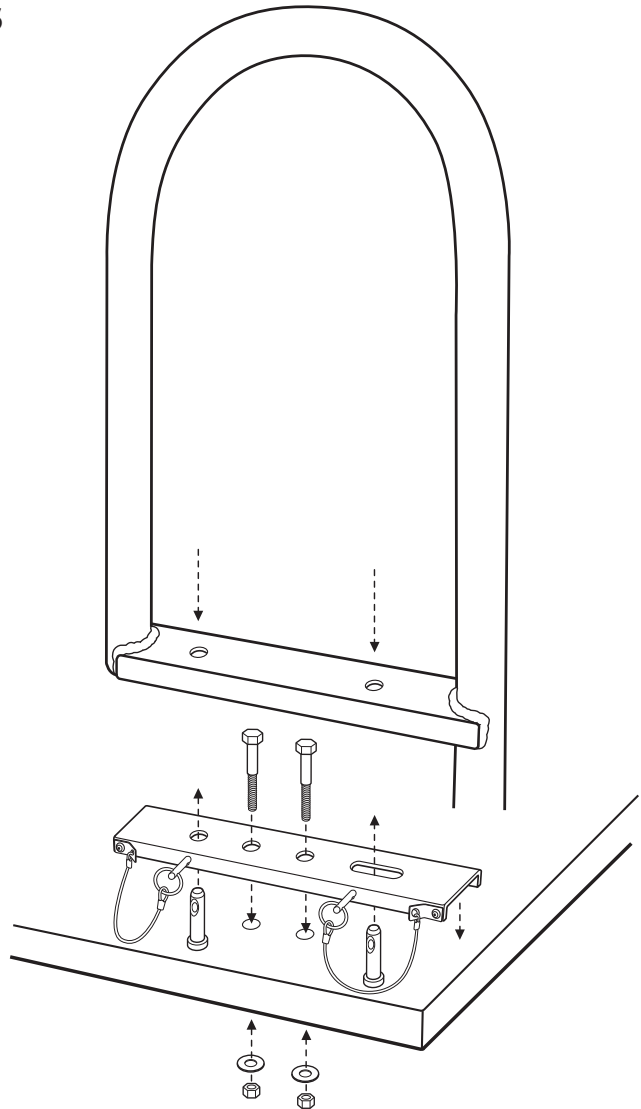


ASSEMBLY AND INSTALLATION INSTRUCTIONS

EDC QUICK RELEASE MOUNTING PLATES

1. Drill holes in dock using the 2 middle holes in the plate as a guide.
2. With quick release posts inserted up & through the plate, bolt plate to dock using suitable bolts and nuts.
3. Drill holes in ladder to match quick release posts.
4. Mount ladder onto plate with posts showing through.
5. Insert pins through posts to secure ladder to quick release mount.



MOUNTING HARDWARE NOT INCLUDED

