

## 5.7" GPS/WAAS CHART PLOTTER

Model GP-1670

Model GP-1670F



5.7" GPS/WAAS COLOR  
CHART PLOTTER with FISH FINDER  
GP-1670F



5.7" GPS/WAAS COLOR  
CHART PLOTTER  
GP-1670

**C-MAP** by JEPPESEN C-MAP 4D  
Digital Charts that grow with your boating needs.

### GP-1670/1670F features

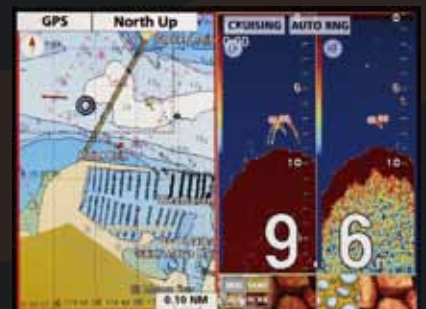
- Bright 800 cd/m<sup>2</sup> LCD gives excellent readability even in direct sunlight
- The LCD and AR glass are bonded together to ensure no fogging issues
- Clear visibility even when wearing polarized sunglasses
- Internal GPS antenna for simple and easy installation
- Standard C-Map 4D chart available on SD card
- RotoKey™ revolving menu and familiar point-and-click operation
- Internal memory: Waypoint/Track 30,000 points, Route 1,000 routes

### GP-1670F features

- Equipped with FURUNO's latest digital fish finder technology
  - Bottom Discrimination Function\* \* Thru-hull transom transducer mount required.
  - ACCU-FISH™ — A unique fish size analyzer
- Post-processing Gain Control applied to all echoes displayed on the screen
- White Line function — Discriminates fish lying near the bottom



Dual range chart display



Plotter + Fish Finder\* (with ACCU-FISH and Bottom Discrimination function ON) \*GP-1670F only

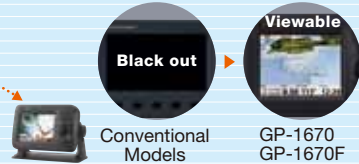
## ● RotoKey™

The RotoKey™ has a two-fold function. Rotate the knob for a finely stepped zoom control. Push the knob to get full access to GP-1670/1670F controls.



## ● Polarized Friendly - Clearly Remarkable

The GP-1670 series has an LCD screen that does not "black out" when wearing polarized sunglasses, providing clear visibility from virtually any angle.



## ● Dual Range Chart Display

In "Dual Range Chart Display" mode, the GP-1670 series displays dual charts, both long and short range, at the same time.



## ● Bonded LCD - Clear Readability

Our bonded LCDs offer a fog-free structural design. This ensures that the display will never be affected by water condensation, caused by an air gap between the LCD and the front cover plate.

## ● Easy Replacement from legacy models

Optional bezel kit is available allowing for easy replacement from Furuno GP-1650, GP-1850 and GP-7000 series.



### ■ Display Unit

Screen Type	Color TFT LCD
Screen Size	5.7"
Screen Resolution	640 x 480 pixels (VGA)
Screen Brightness	800 cd/m <sup>2</sup> (typical)
Language	English (US & UK), French, Spanish, German, Italian, Portuguese, Danish, Swedish, Norwegian, Finnish, Greek, Japanese, Chinese, Russian, Thai, Vietnamese, Polish, Bahasa Malaysia, Bahasa Indonesia
Display Modes	Course plot, Nav Data, Instruments*, Engine monitor*, Anemometer*, Fuel level gauge*, GPS status, Fish finder** <small>*External sensors required **GP-1670F only</small>
Memory Capacity	30,000 points for ship's track and waypoints 1,000 planned routes (Max. 50 points per route) 5,000 quickpoints
Interface	CAN bus: 1 port Mini USB*: 1 port (2.0) <small>*for maintenance only</small> SD card slot: 1 slot (up to 32 GB)
Chart	C-MAP 4D
Other Functions	AIS target display* <small>*AIS sensor required</small>
Temperature	-15°C to +55°C
Waterproofing	IP56
Power Supply	12-24 VDC
Consumption Current	GP-1670: 0.5 - 0.3 A GP-1670F: 0.9 - 0.5 A (When 600 W transducer used)

### ■ GPS / WAAS

Receive Type	GPS: 50 channels WAAS: 1 channel
Receiving Frequency	L1 (1575.42 MHz)
Accuracy	Internal antenna : GPS 10 m Max / MSAS 7 m Max External antenna*: GPS 10 m Max / MSAS 7 m Max <small>*GPA-017 (Option)</small>
Time to First FIX	90 s (cold start)
Tracking Velocity	999 Kn
SBAS	WAAS, EGNOS, MSAS

### ■ Fish Finder (for GP-1670F only)

Transmit Frequency	50/200 kHz
Transmission	600 W or 1 kW* <small>*Matching box MB-1100 required for certain transducers</small>
Display Range	5 - 1,200 m, shift: 0 - 1,200 m
Extension Mode	ACCU-FISH*, Auto (Fishing/Cruising/Manual), A-Scope, Marker Zoom, Bottom Zoom, Bottom Lock, Bottom Discrimination*
Picture Advance	7 steps: 2/1, 1/1, 1/2, 1/4, 1/8, 1/16, stop

In some instances, bottom component or fish size indicated on the GP-1670F may differ from its actual size or structure. Please carefully read the operation manual prior to using this feature.

### ■ Equipment List

Display unit GP-1670/1670F, Installation materials and standard spare parts

### ■ Options

- GPS antenna GPA-017/017S • Antenna cable assembly • NMEA2000 heavy cable assembly • Mast mounting kit • Junction box • In-line Terminator • NMEA2000 interface unit • NMEA data converter • Waterproof cap • Termination Resistor • NMEA2000 light cable assembly • Cable assembly • Mini/micro T-connector • L-angle mounting base • Handrail mounting base • Rectifier • T-connector
- Inner hull mounting kit\* • Matching box\* • Speed/Temperature sensor\*
- Temperature sensor\* \*for GP-1670F only

### ■ Transducer Options (for GP-1670F only)

600 W	1 kW* <small>*Matching box MB-1100 required for certain transducers</small>
• 520-5MSD (Bronze)	• 50/200-1T • 50B-6B
• 520-5PSD (Plastic)	• 50/200-12M • 200B-5S
• 525-5PWD (Plastic)	• 50B-6

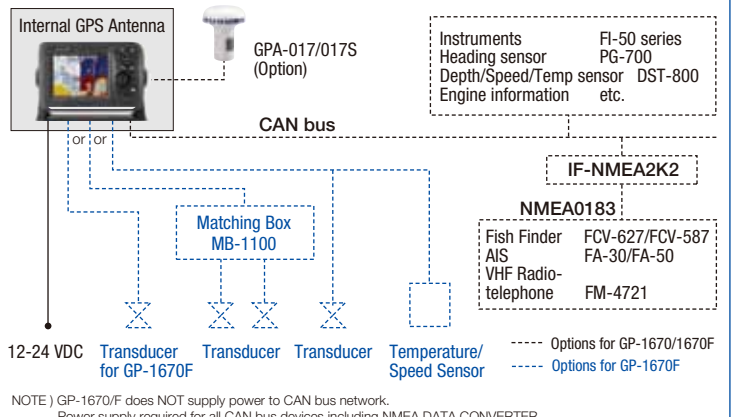
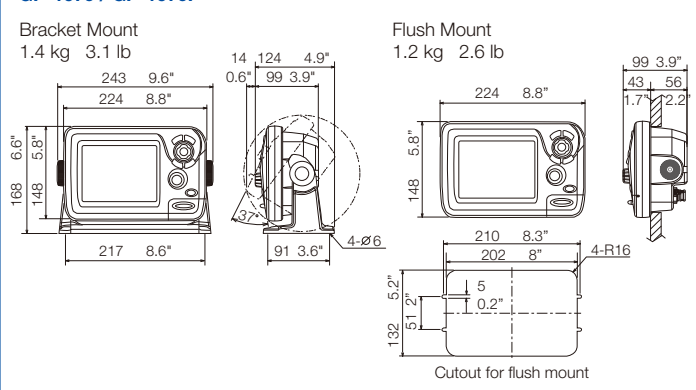
### NMEA DATA CONVERTER < IF-NMEA2K2 >

Furuno's NMEA DATA CONVERTER is a compact interface unit, that converts NMEA 0183 data into CAN bus/NMEA2000 data and vice-versa. Control data such as Heading and Rate-of Turn can be translated in high speed conversion rate.



IF-NMEA2K2

### GP-1670 / GP-1670F



All brand and product names are registered trademarks, trademarks or service marks of their respective holders.

SPECIFICATIONS SUBJECT TO CHANGE WITHOUT NOTICE  
PLEASE READ MANUAL BEFORE USING THE UNIT

#### FURUNO ELECTRIC CO., LTD.

Nishinomiya, Hyogo, Japan  
www.furuno.com

#### FURUNO U.S.A. INC.

Camas, Washington, U.S.A.  
www.furunousa.com

#### FURUNO (UK) LIMITED

Havant, Hampshire, U.K.  
www.furuno.co.uk

#### FURUNO FRANCE S.A.S.

Bordeaux-Mérignac, France  
www.furuno.fr

#### FURUNO ESPAÑA S.A.

Madrid, Spain  
www.furuno.es

#### FURUNO DANMARK A/S

Hvidovre, Denmark  
www.furuno.dk

#### FURUNO NORGE A/S

Ålesund, Norway  
www.furuno.no

#### FURUNO SVERIGE AB

Västra Frölunda, Sweden  
www.furuno.se

#### FURUNO FINLAND OY

Espoo, Finland  
www.furuno.fi

#### FURUNO POLSKA Sp. z o.o.

Gdynia, Poland  
www.furuno.pl

#### FURUNO EURUS LLC

St. Petersburg, Russian Federation  
www.furuno.com.ru

#### FURUNO DEUTSCHLAND GmbH

Rellingen, Germany  
www.furuno.de

#### FURUNO HELLAS S.A.

Piraeus, Greece  
RICO (PTE) LTD

Singapore  
www.rico.com.sg

12093SS Printed in Japan

Catalogue No. N-872a

