

### PACKAGE CONTENTS

Helm with mounted upholstered  
access cover panel.

### To Remove Access Cover Panel

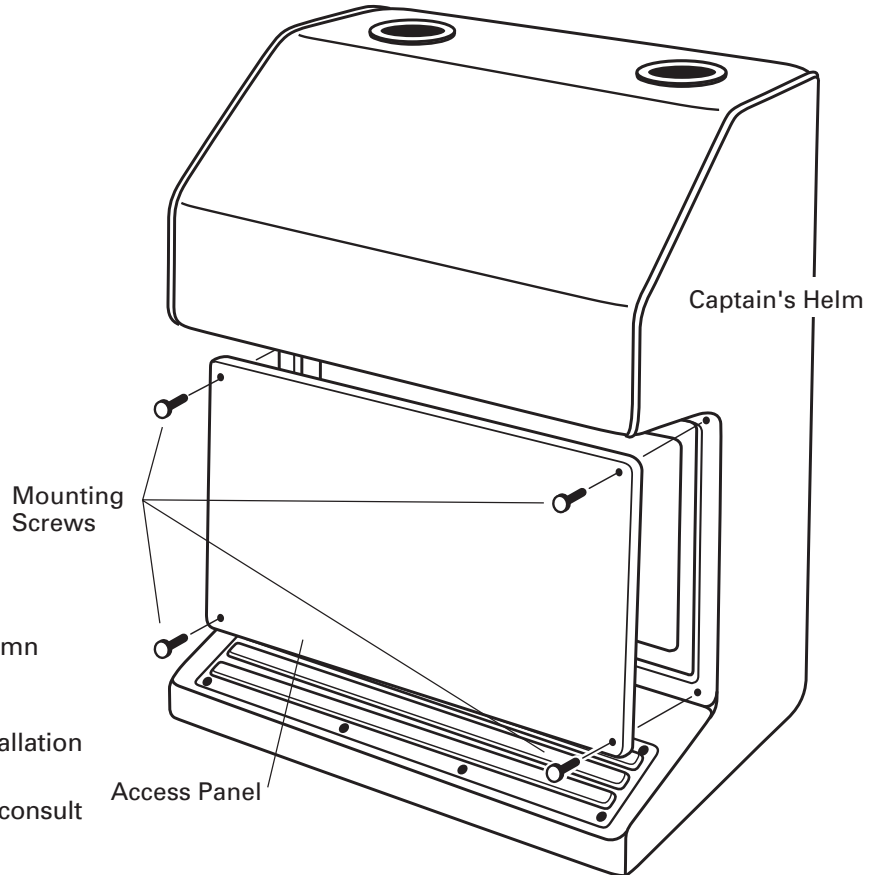
1. Remove 4 oval head mounting screws and countersunk washers.
2. Remove cover panel.

### To Mount Access Panel

1. Reverse instructions above to mount panel and tighten fasteners by hand. Do not over tighten or screws will strip out plastic.

### NOTE

- When mounting steering wheel assembly and throttle control, trim only vinyl necessary to clear component through hole.
- Adequate upholstery material for steering column bezel and throttle cover plate must remain for plate to securely overlap and capture vinyl.
- Follow manufacturers specific directions for installation of steering assembly and throttle control.
- When mounting throttle directly to helm please consult your local marine professional.



### NOTE

TO AVOID CROSS-THREADING  
OF FASTENERS PLEASE START  
ALL SCREWS BY HAND

**Questions? Missing Parts?  
Call 1.800.334.6541**

Above items are not manufactured  
for commercial use.

## WARNING

STAPLES MAY PROTRUDE  
THROUGH PLASTIC SHELL

BE CAREFUL TO AVOID BEING CUT