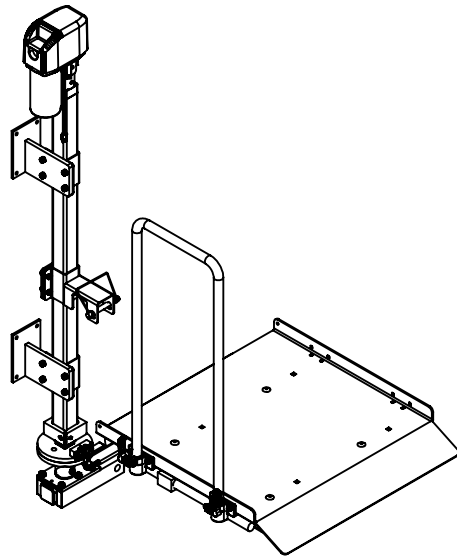


# HANDY LIFT - LT

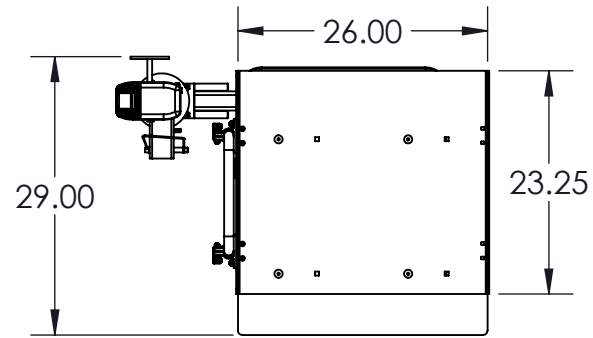
LT-MODELS

**BURR Engineering**

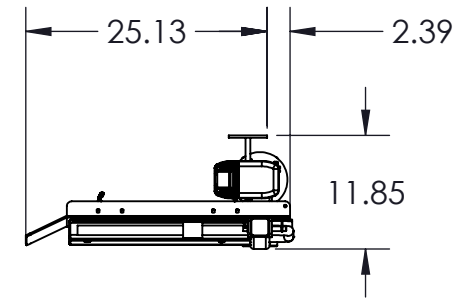
1125 WATKINS RD. P.O. BOX 460  
BATTLE CREEK, MICHIGAN 40915 USA



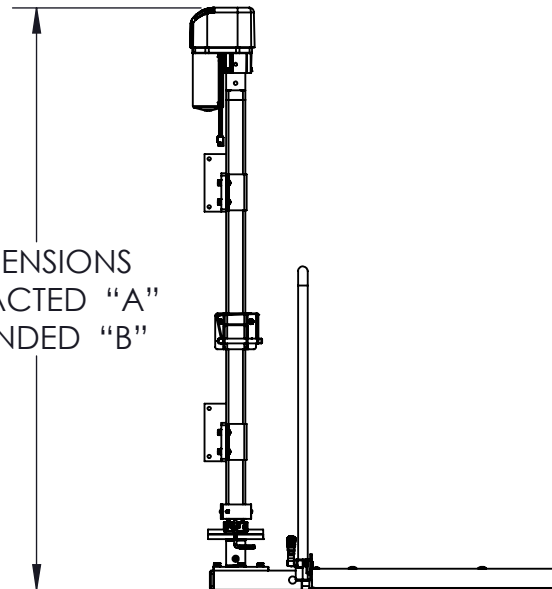
VIEW IN USE



VIEW STORED



DIMENSIONS  
RETRACTED "A"  
EXTENDED "B"



MODEL	LIFT	DIM "A"	DIM "B"
33170	40	60.5	100.5
33171	45	65.5	110.5
33172	50	70.5	120.5

TITLE: HANDY LIFT LT MASTER			
MODEL #	HL-LT	DATE: 10/21/20	DRAWING # 33681
REVISION:	BE - A	ECN #:	APPROVED:

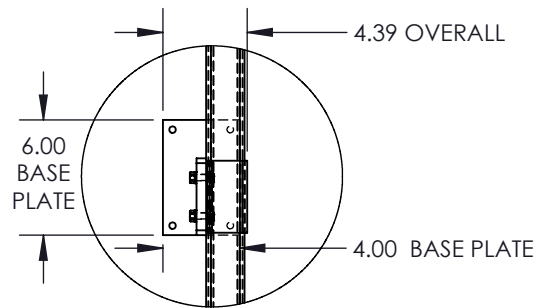
# HANDY LIFT - LT

LT-MOUNTING

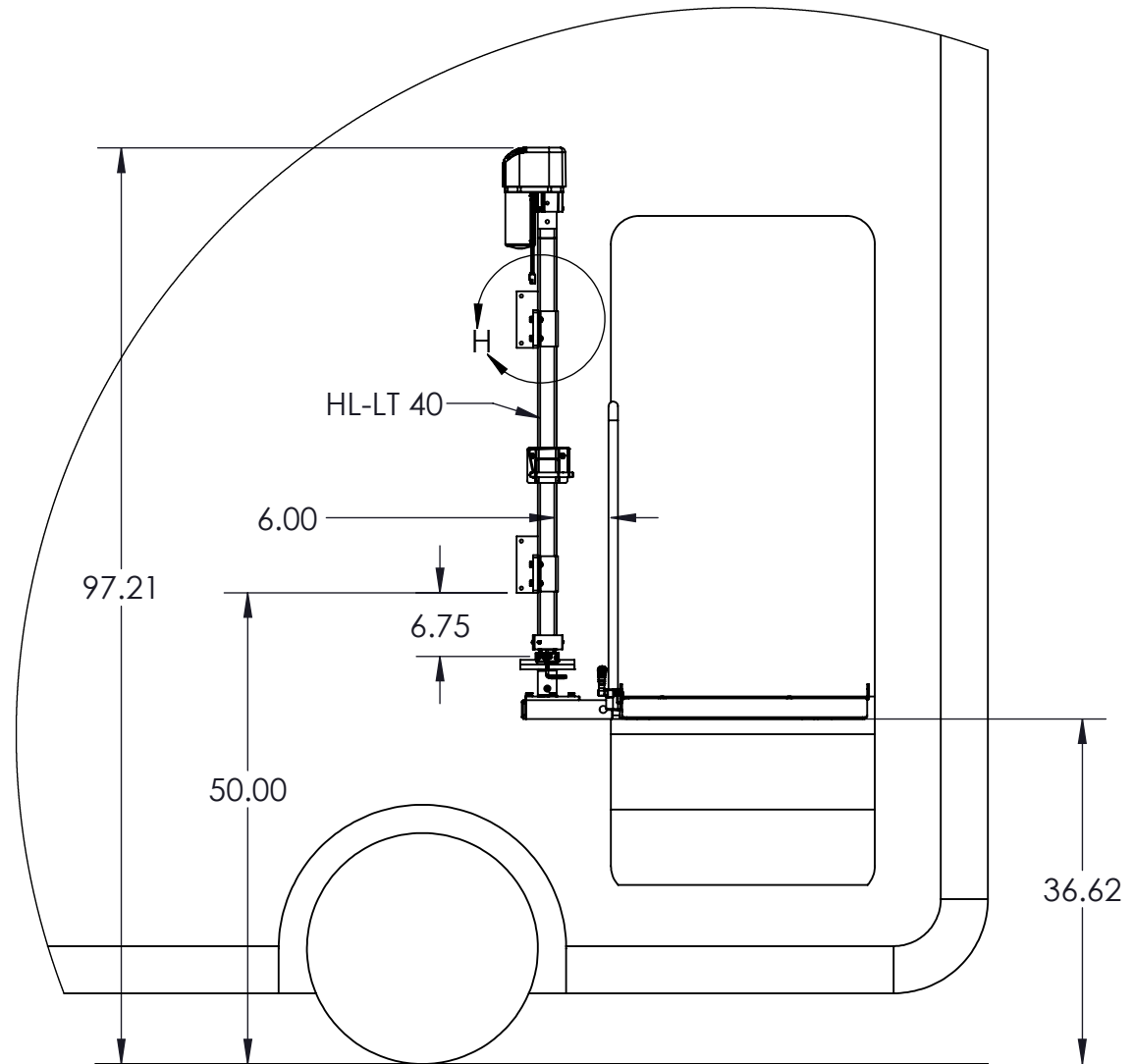
**BURR Engineering**

1125 WATKINS RD. P.O. BOX 460  
BATTLE CREEK, MICHIGAN 49915 USA

GROUND TO BRACKET 50.00  
DOOR TO BRACKET 6.00  
BRACKET TO END OF OUTER TUBE 6.75  
STROKE NEEDED EST. 36.62



MOUNTINGBRACKET  
DETAIL H  
SCALE 1 : 10



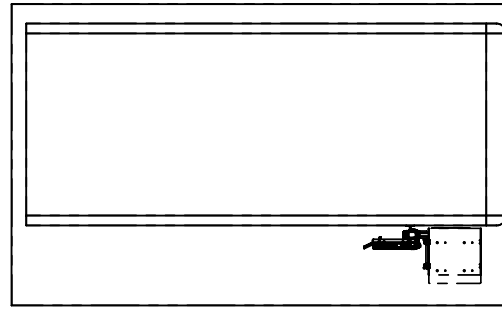
TITLE: HANDY LIFT LT CLASS A INSTALL MASTER			
MODEL #	HL-LT	DATE: 10/21/20	DRAWING # 33681
REVISION:	BE - A	ECN #:	APPROVED:

# HANDY LIFT - LT

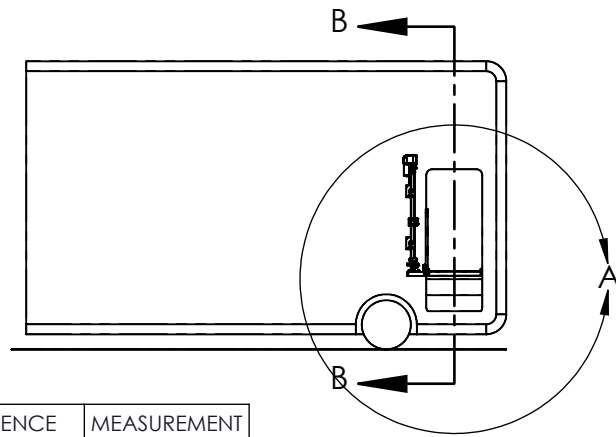
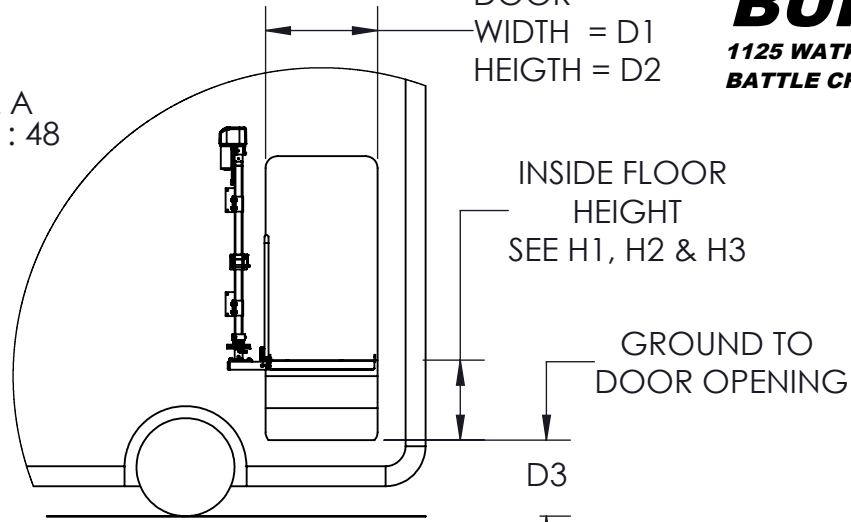
LT-SPECIFICATIONS

**BURR Engineering**

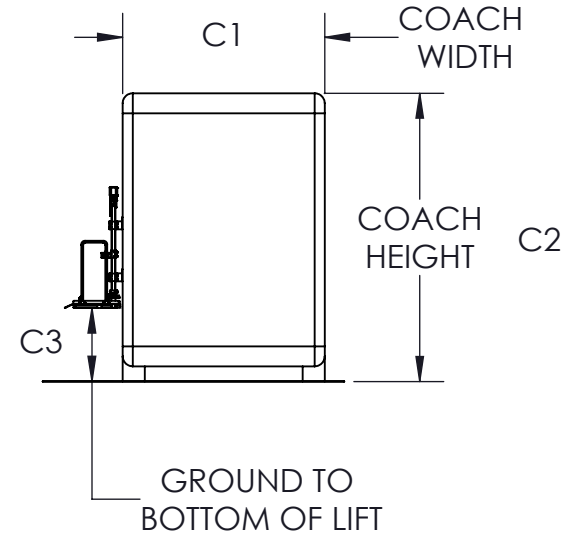
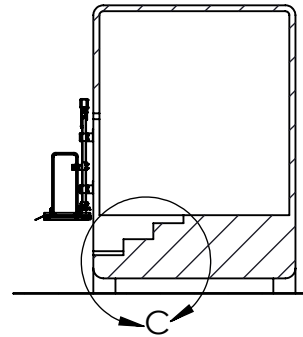
1125 WATKINS RD. P.O. BOX 460  
BATTLE CREEK, MICHIGAN 49915 USA



DETAIL A  
SCALE 1 : 48

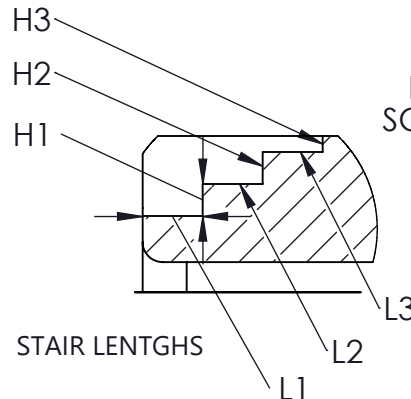


SECTION B-B



	REFERENCE	MEASUREMENT
DOOR	D1	
	D2	
	D3	
COACH	C1	
	C2	
	C3	
STAIRS	L1	
	L2	
	L3	
	H1	
	H2	
	H3	

STAIR HEIGHTS



STAIR LENGTHS

STAIRS  
DETAIL C  
SCALE 1 : 48

TITLE: HANDY LIFT LT CLASS A INSTALL MASTER			
MODEL #	HL-LT	DATE: 10/21/20	DRAWING # 33681
REVISION:	BE - A	ECN #:	APPROVED:

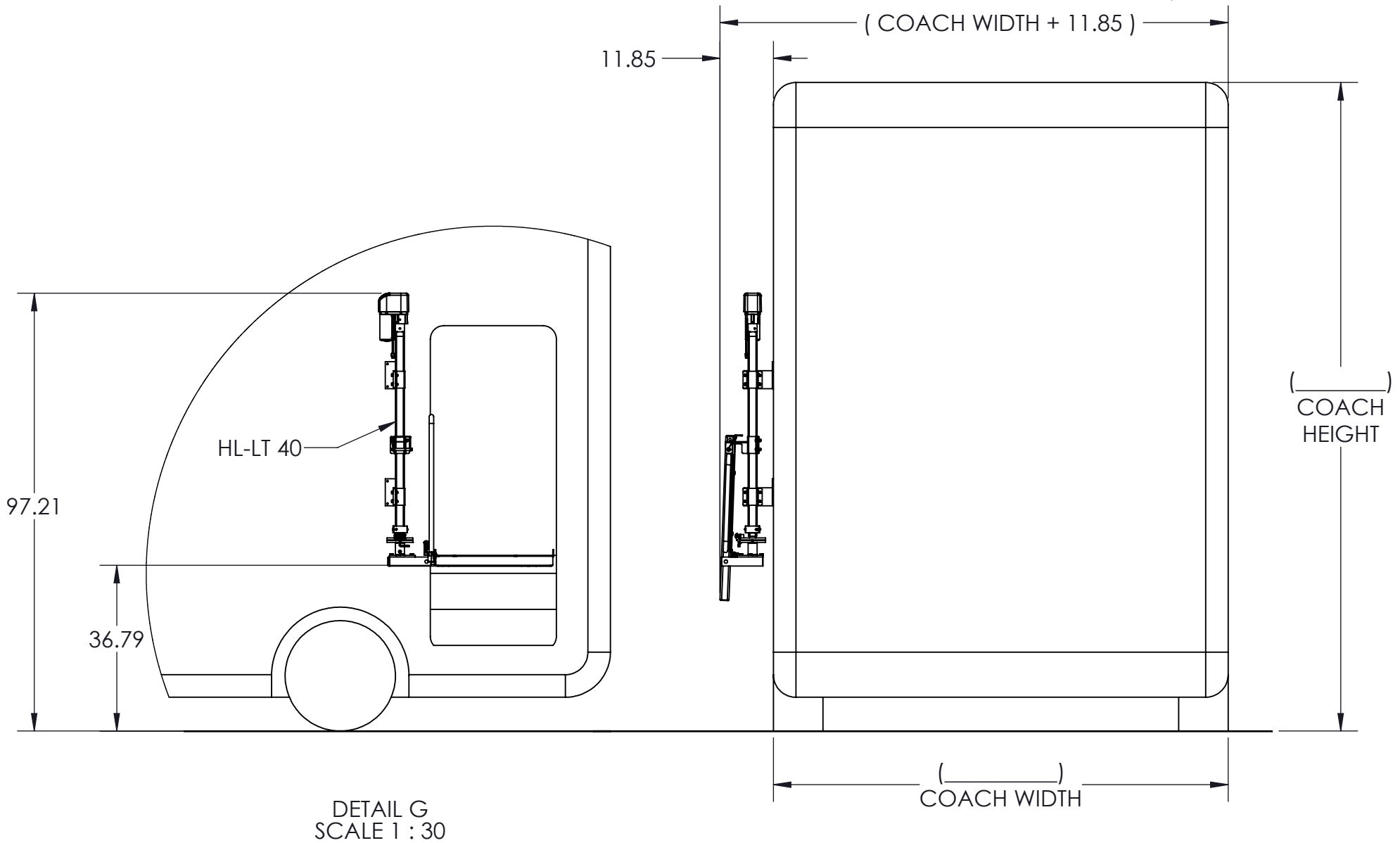
# HANDY LIFT - LT

LT-OVERALL-DIMENSIONS

**BURR Engineering**

1125 WATKINS RD. P.O. BOX 460

BATTLE CREEK, MICHIGAN 40915 USA



TITLE: HANDY LIFT LT CLASS A INSTALL MASTER			
MODEL #	HL-LT	DATE: 10/21/20	DRAWING # 33681
REVISION:	BE - A	ECN #:	APPROVED: