



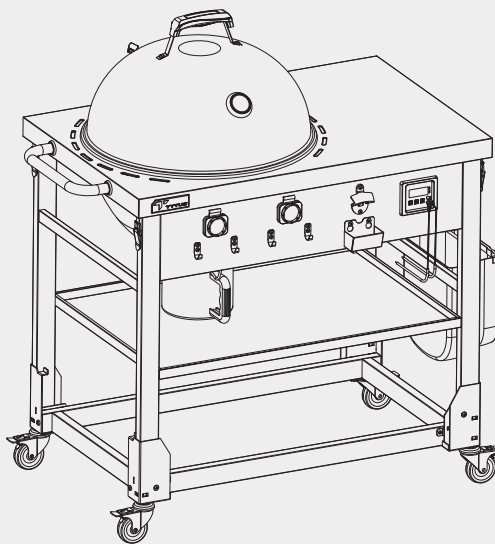
USER MANUAL

Anaheim Charcoal Kettle with Cart

Model: TDT-KC2-0101

CONTENTS

- 1 Safety Warnings
- 3 Package Contents
- 4 Assembling Your Charcoal Grill
- 9 Cleaning & Maintaining your Charcoal Grill
- 9 Using Your Charcoal Grill
- 10 Specifications
- 11 Parts Diagram & List
- 13 Warranty



SAFETY WARNINGS

IMPORTANT

NOTE: Keep this manual with your charcoal kettle grill for future reference.

RECORD YOUR SERIAL #: _____

(Serial number can be found on the silver sticker on the center shelf.)

⚠ CARBON MONOXIDE HAZARD

CARBON MONOXIDE HAZARD - Burning charcoal inside can kill you. It gives off carbon monoxide, which has no odor. NEVER burn charcoal inside homes, vehicles, garages, or tents.

⚠ THIS GRILL IS FOR OUTDOOR USE ONLY

⚠ CAUTION

- Read and follow all safety statements, assembly instructions, and use and care instructions before attempting to assemble and cook.
- Some parts may contain sharp edges! Wear protective gloves if necessary.
- Cooking grate handles are hot during use. Wait until the grill cools down before removing the cooking grate or use oven mitts to remove the cooking grate.
- For residential use only. Do not use for commercial cooking.

⚠ WARNING

- Most surfaces on this unit are hot when in use. Use extreme caution. Keep others away from unit. Always wear protective clothing to prevent injury.
- Keep children and pets away.
- Do not move this unit during operation.
- Never substitute gasoline, kerosene or alcohol for charcoal starters. In some states, the use of charcoal starters is prohibited by law. In this case, paraffin-based starter cubes can be substituted for charcoal starters. Never use charcoal starter fluid with an electric starter.
- Do not use this unit on or near combustible surfaces or structures such as wood decks, dry leaves or grass, vinyl or wood siding, etc.
- After a charcoal fire appears extinguished, unconsumed embers can retain heat for up to 24 hours, and if exposed to fresh air, can burst into flames unexpectedly. Any such embers outside the firebox of the grill pose as a fire hazard and can ignite combustible surfaces such as wooden decks.

⚠ WARNING: Failure to follow all manufacturers' instructions could result in serious personal injury and/or property damage.



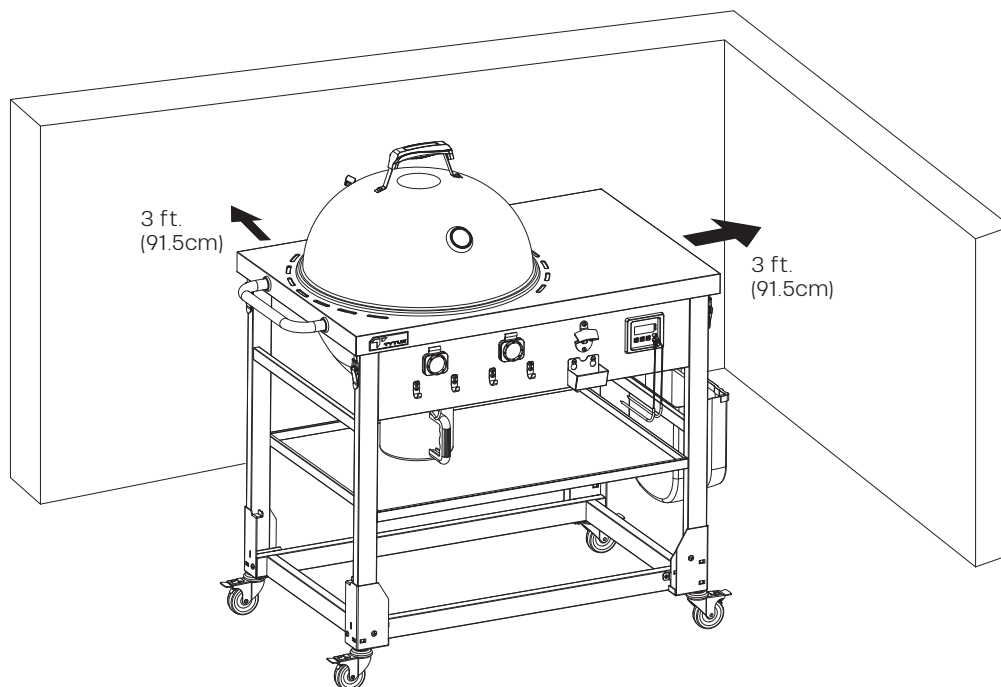
▲ WARNING: Risk of burning! When petrol or white spirits are ignited, uncontrollable heat can develop as a result of deflagration. You should therefore only use harmless fuel.

▲ WARNING: Always use caution when handling hot coals to prevent injury.

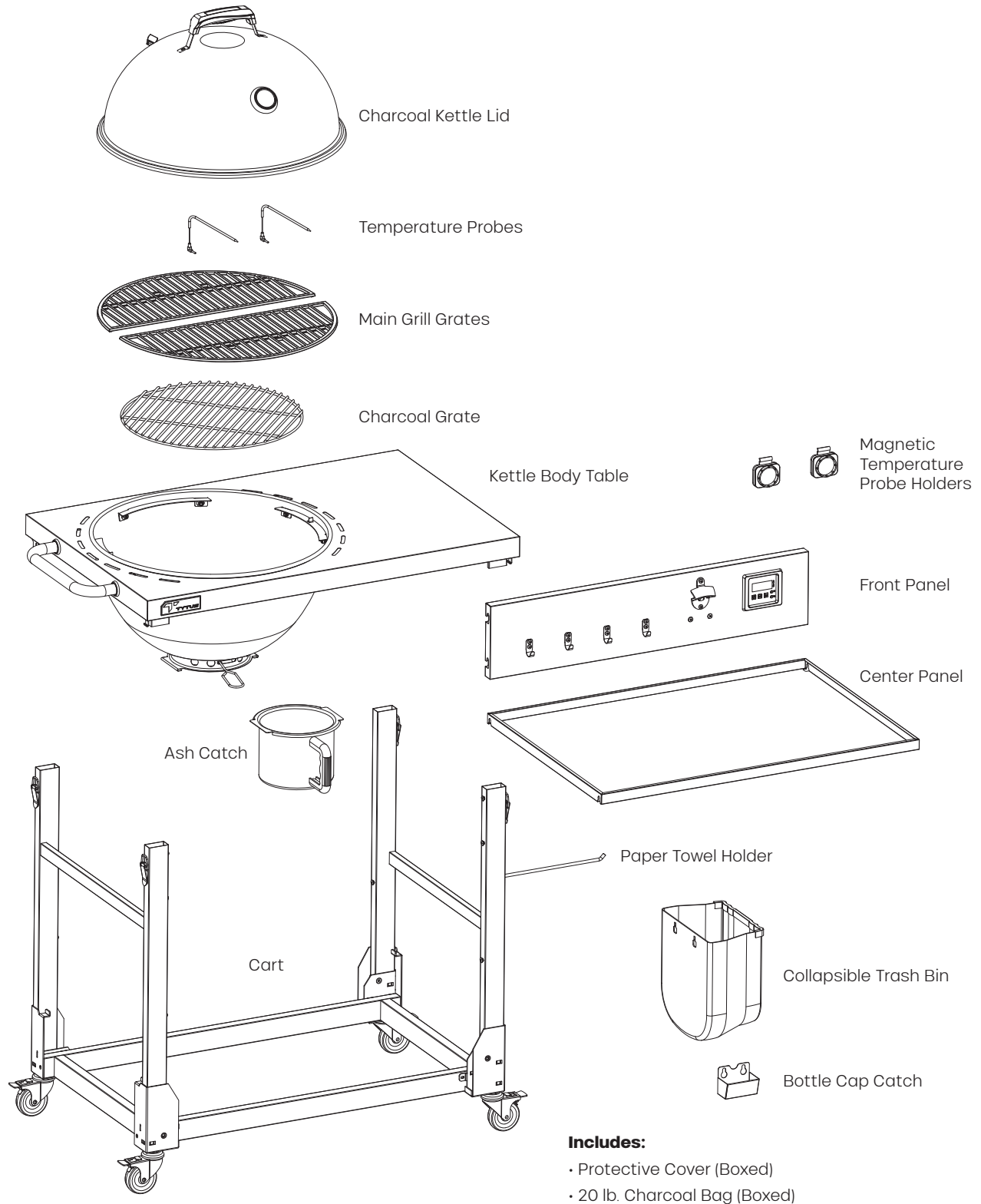
▲ WARNING: Always light the fire with the grill lid open.

▲ WARNING

- **Use grill at least 3ft. from any wall or surface.** Maintain 10ft. clearance to objects that can catch on fire or sources of ignition such as pilot lights on water heaters, live electrical appliances, etc.
- Use grill only in well-ventilated spaces. **NEVER** use in enclosed spaces such as carport, garages, porches, covered patio, or under an overhead structure of any kind.



PACKAGE CONTENTS

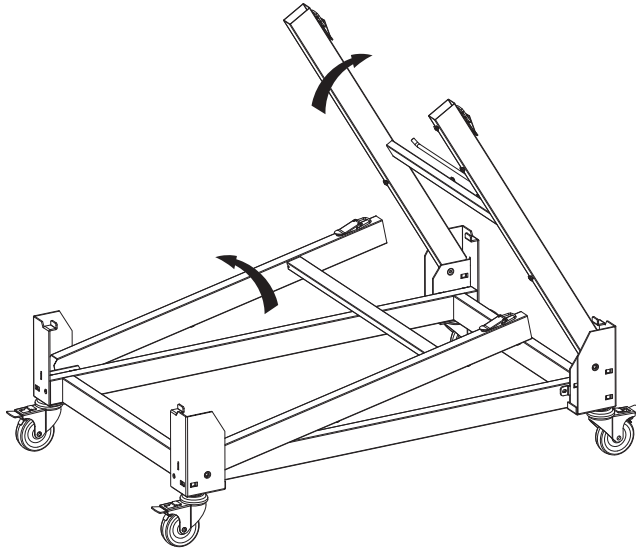


ASSEMBLING YOUR CHARCOAL KETTLE



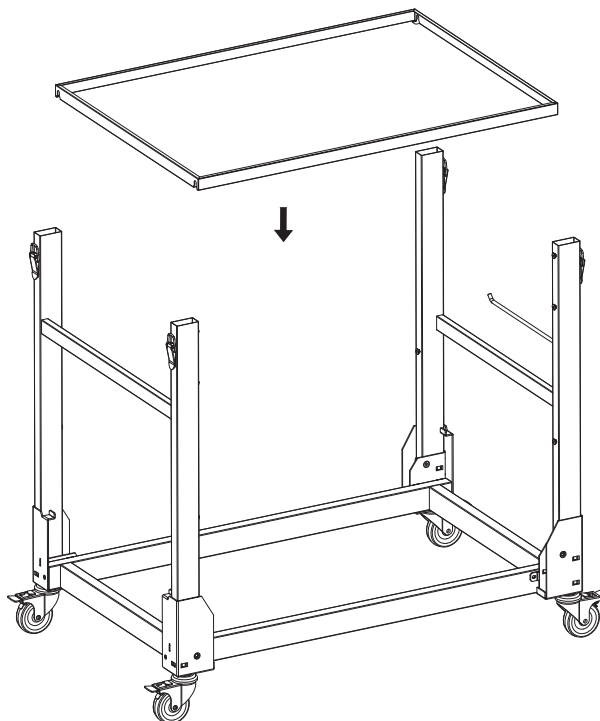
STEP 1

Unfold the cart by rotating the cart bars to be perpendicular with the bottom frame.



STEP 2

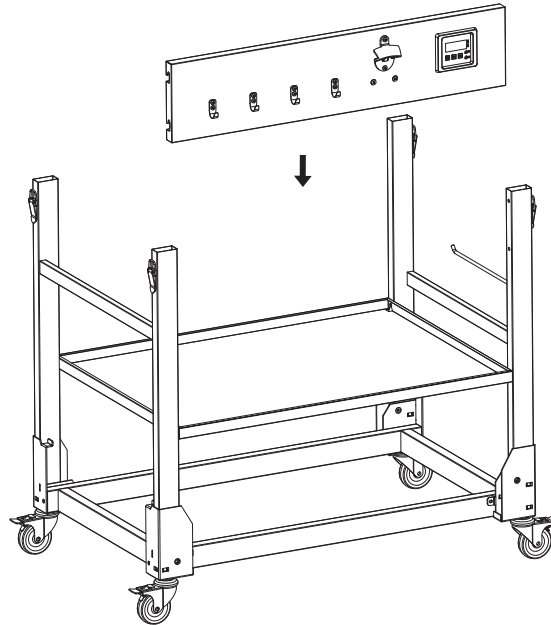
Place the middle shelf into position by aligning the cutouts over the screws and push them into place.



ASSEMBLING YOUR CHARCOAL KETTLE

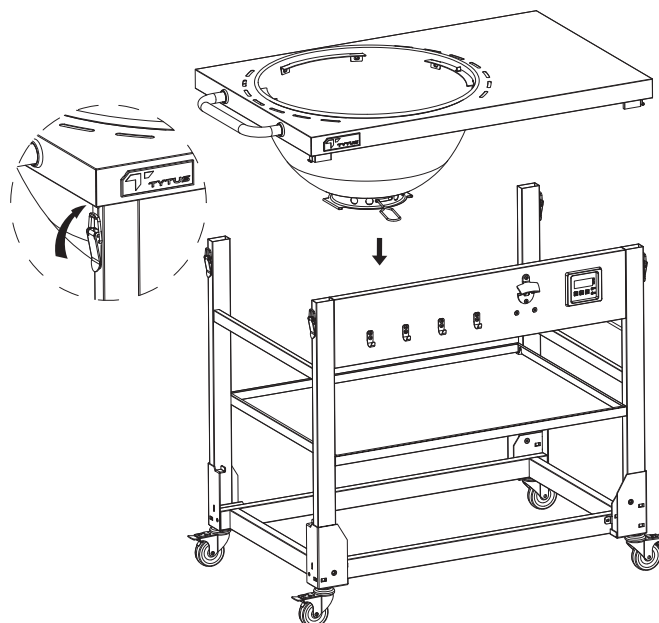
STEP 3

Place the front panel onto the cart frame by aligning the bolts with the grooves and pressing down into place.



STEP 4

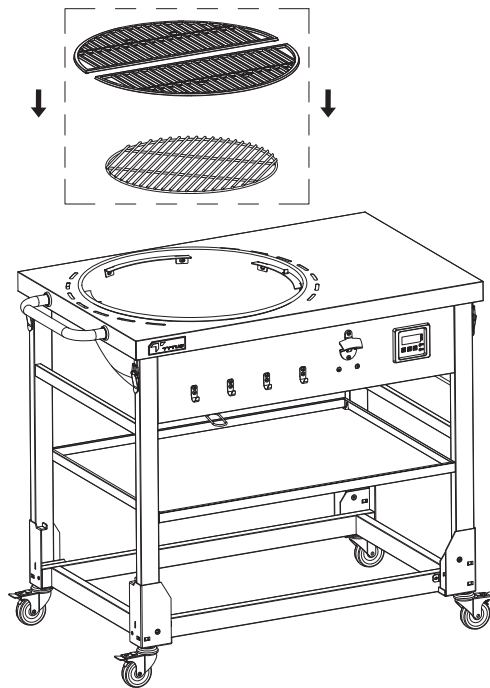
Place the top table with the charcoal kettle body onto the cart frame, with the kettle on the left side (the same side as the tool hooks). Lock the top table onto the cart using the four latches.





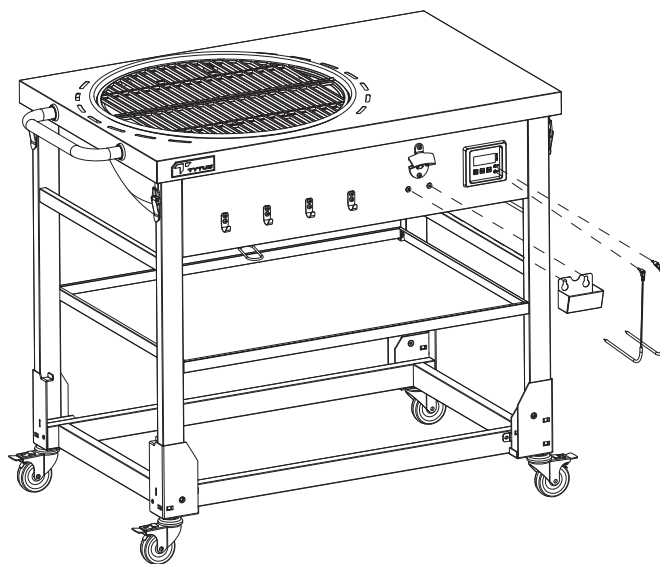
STEP 5

Place the charcoal grate and the two cooking grates into the charcoal kettle.



STEP 6

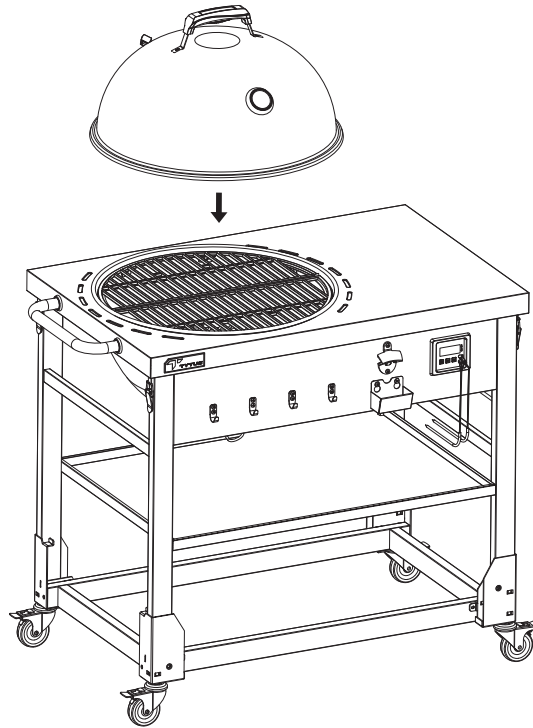
Place the bottle cap catch onto the charcoal kettle front panel and install the two temperature probes into the temperature probe module.



ASSEMBLING YOUR CHARCOAL KETTLE

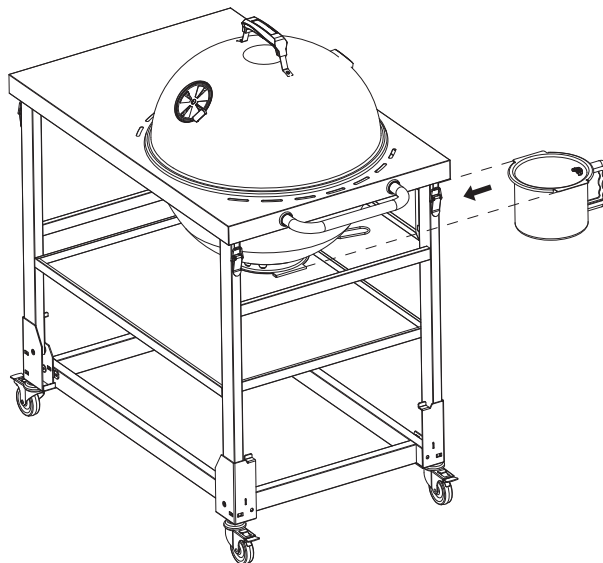
STEP 7

Place the charcoal kettle lid onto the charcoal kettle body.



STEP 8

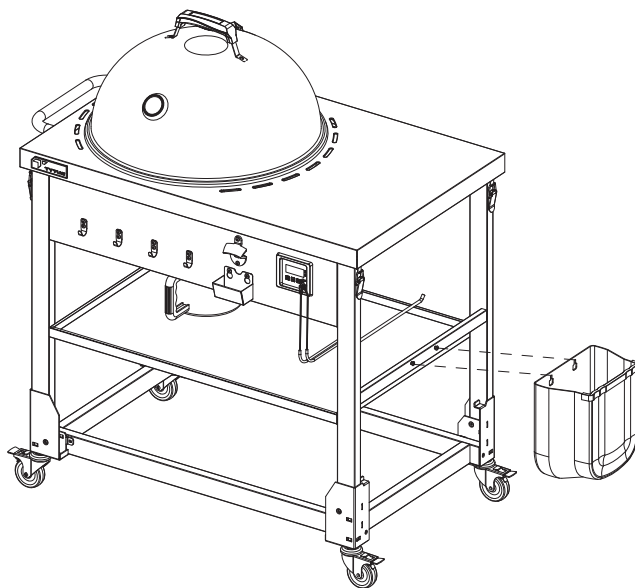
Place the ash catch under the charcoal kettle body, aligning the notches with the grooves.





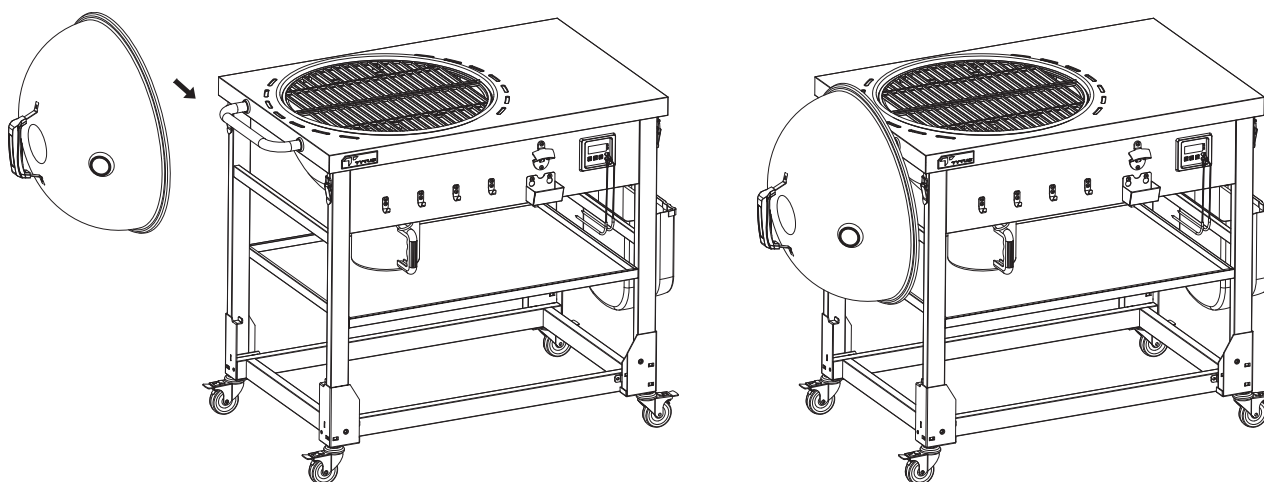
STEP 9

Place the collapsible trash bin onto the bolts on the right side of the charcoal kettle cart.



STEP 10

Place the charcoal kettle lid on the left side of the cart by placing the hook inside the charcoal lid onto the silver side handle for ease of use.



CLEANING & MAINTAINING YOUR CHARCOAL GRILL

EXTERIOR POWDER COATED SURFACES

Wipe your grill down after each use. Use warm soapy water to cut the grease. Do not use oven cleaner, abrasive cleansers or abrasive pads on powder coated surfaces.

COOKING GRATES

Wipe your cooking grates with a clean cloth and apply a thin coating of cooking oil. For stubborn food residue, use degreaser and a fiber metal bristle cleaning brush.

▲ WARNING: Ashes can get very hot. Always handle the ash tray with a flame-retardant BBQ mitt. Before removing the tray, always be sure that the grill has properly cooled. Be aware that the tray does contain ash and be extremely careful when removing the tray to prevent spillage. Failure to follow these instructions could cause serious bodily injury or property damage.

▲ WARNING: Environmental Protection & Disposal

Pay attention to cleanliness when using the barbecue and dispose of waste in a clean and safe manner. As a general rule, only dispose of waste in designated metal or non-flammable containers. Check your local regulations for disposal rules.

USING YOUR CHARCOAL GRILL

1. Use quality products, such as charcoal, briquettes and solid firelighters.
2. Stack some of the charcoal in the charcoal grate, with the lid and ventilation slide open.
3. Place one or two solid firelighters on top of the layer of charcoal and ignite these firelighters using a long match.
4. Allow the solid firelighters to burn for 2 to 4 minutes. Then fill the charcoal grate slowly with more charcoal. Maximum capacity of 2.75lbs (1.25 kg).
5. A white layer of ash should develop on the fuel after approximately 15 to 20 minutes. This indicates that the optimal grilling condition has been reached. Distribute the fuel evenly in the charcoal grate using a suitable metal tool.
6. Insert the greased grill grates and start grilling.

SPECIFICATIONS



SPECS

Fuel Type	Charcoal
Tool Hooks	4
Warranty	3 year limited

MATERIALS

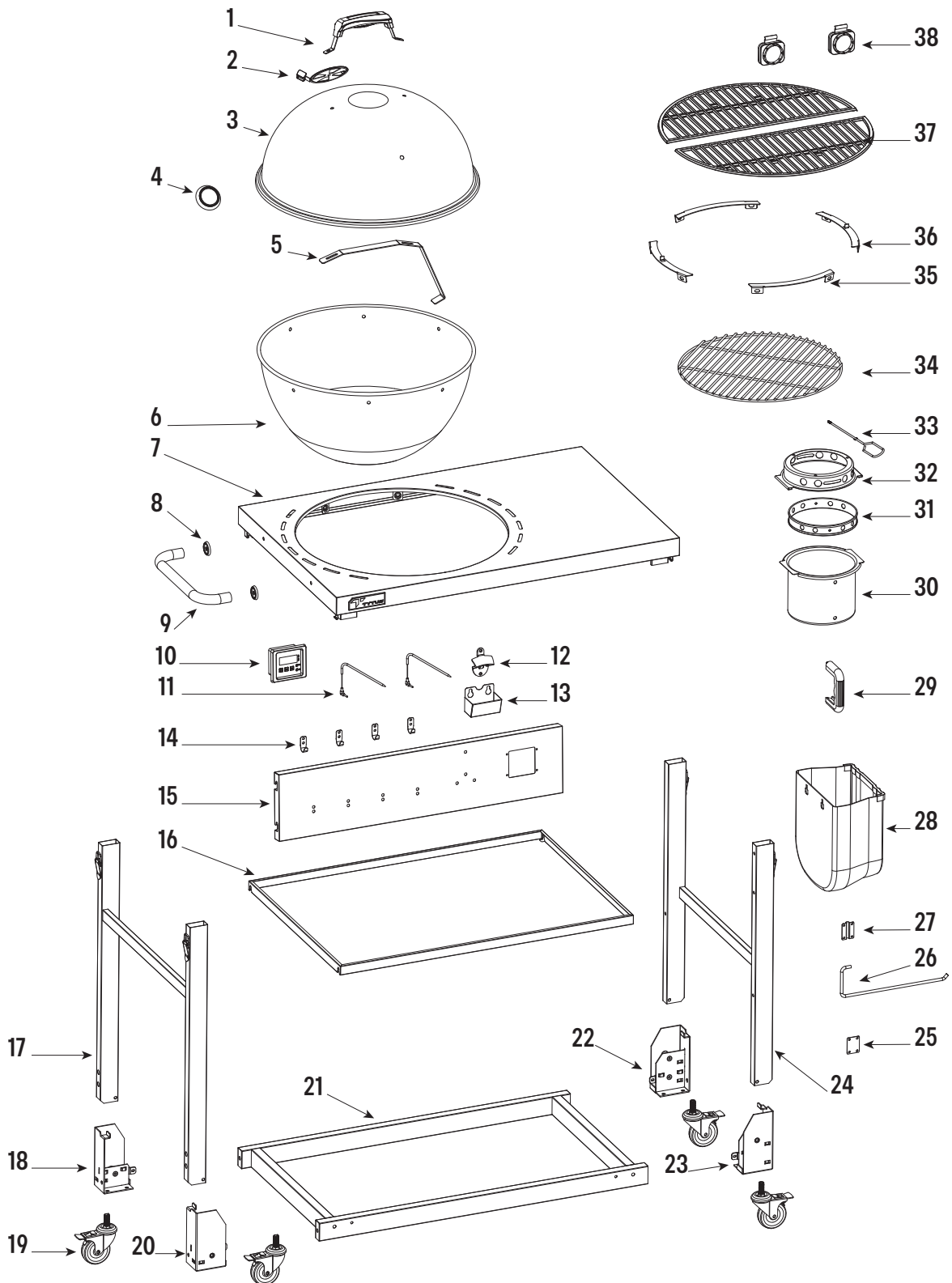
Grate Material	Porcelain enameled cast iron
Cart Finish	Gunmetal Gray
Table Finish	Hammertone Black
Kettle Finish	Porcelain enameled steel

DIMENSIONS

Assembled Width	46.73 inches
Assembled Depth	25.63 inches
Assembled Height (Lid Closed)	47.56 inches
Main Cooking Area (W & D)	342 sq. inches (20.87" diameter)
Prep Area (W & D)	317.2 sq. inches (24.4" by 13")
Total Cooking Area	342 sq. inches
Total Storage	729.6 sq. inches (32" by 22.8")

PARTS

PARTS DIAGRAM





PARTS LIST

Part #	Description	QTY	TYTUS Part #
1	Lid Handle	1	TFR-CHR-001
2	Lid Air Vent	1	TFR-CHR-002
3	Lid	1	TFR-CHR-003
4	Thermometer	1	TFR-CHR-004
5	Lid Hook	1	TFR-CHR-005
6	Grill Box	1	TFR-CHR-006
7	Table	1	TFR-CHR-007
8	Table Handle Base	2	TFR-CHR-008
9	Table Handle	1	TFR-CHR-009
10	Digital Temp Gauge	1	TFR-CHR-010
11	Meat Probe	2	TFR-CHR-011
12	Bottle Opener	1	TFR-CHR-012
13	Bottle Cap Catch	1	TFR-CHR-013
14	Tool Hook	4	TFR-CHR-014
15	Cart Front Panel	1	TFR-CHR-015
16	Cart Mid Panel	1	TFR-CHR-016
17	Left Leg	1	TFR-CHR-017
18	Leg Base LR	1	TFR-CHR-018
19	Caster With Brake	4	TFR-GRD-034
20	Leg Base LF	1	TFR-CHR-019
21	Cart Bottom	1	TFR-CHR-020

Part #	Description	QTY	TYTUS Part #
22	Leg Base RR	1	TFR-CHR-021
23	Leg Base RF	1	TFR-CHR-022
24	Right Leg	1	TFR-CHR-023
25	Paper Towel Holder Gasket	1	TFR-CHR-024
26	Paper Towel Holder	1	TFR-CHR-025
27	Paper Towel Holder Support	1	TFR-CHR-026
28	Trash Bin	1	TFR-MCT-041
29	Ash Cup Handle	1	TFR-CHR-027
30	Ash Cup	1	TFR-CHR-028
31	Ash Cup Air Vent	1	TFR-CHR-029
32	Ash Cup Support	1	TFR-CHR-030
33	Air Vent Regulating Stem	1	TFR-CHR-031
34	Charcoal Grill	1	TFR-CHR-032
35	Cooking Grill Support 1	2	TFR-CHR-033
36	Cooking Grill Support 2	2	TFR-CHR-034
37	Cooking Grill	2	TFR-CHR-035
38	Magnetic Temperature Probe Holders	2	TFR-CHR-036

WARRANTY

TYTUS GRILLS LIMITED WARRANTY TO ORIGINAL CUSTOMER

(the "Products" or "Product" when referencing a singular product herein).

Tytus Grills, LLC ("Tytus") warrants the Products identified above to be free from defects in material and workmanship, for the relevant and specified Warranty Periods set forth below for specific parts or components of the Products, under proper use, maintenance, and care according to the owner's manual, warnings, and instructions accompanying the Products:

WARRANTY PERIODS:

PARTS OR COMPONENTS COVERED:	TIME PERIOD COVERED:
Stainless Steel Burners	5 years from the date of the original customer purchase*
Porcelain-enameled Cast Iron Cooking Grates	3 years from the date of the original customer purchase*
Powder-coated and Porcelain-coated parts of the Product	1 year from the date of the original customer purchase*
All other parts of the Products not specified above (excluding spare parts discussed below)	1 year from the date of the original customer purchase*
Any spare parts provided by Tytus for use in any of the Products, and any replacement parts used in a repair performed by an authorized Tytus dealer.	90 days from the date the spare or replacement part is first shipped to the customer, or the date the part is incorporated into the Product by an authorized Tytus dealer, whichever comes first. *

WARRANTY PERIODS EFFECTIVE IF AND ONLY IF PRODUCT IS REGISTERED BY ORIGINAL CUSTOMER WITHIN 90 DAYS OF PURCHASE:

PARTS OR COMPONENTS COVERED:	TIME PERIOD COVERED:
Stainless Steel Burners	10 years from the date of the original customer purchase*
Porcelain-enameled Cast Iron Cooking Grates	5 years from the date of the original customer purchase*
Powder-coated and Porcelain-coated parts of the Product	2 years from the date of the original customer purchase*
All other parts of the Products not specified above (excluding spare parts discussed below)	2 years from the date of the original customer purchase*
Any spare parts provided by Tytus for use in any of the Products, and any replacement parts used in a repair performed by an authorized Tytus dealer.	90 days from the date the spare or replacement part is first shipped to the customer, or the date the part is incorporated into the Product by an authorized Tytus dealer, whichever comes first. *

* **PLEASE NOTE** – Proof of purchase evidencing the date of the original customer purchase, or the date of the spare part shipment or incorporation into the Product if applicable, is **required** for all warranty service. The express warranty set forth herein (the "Warranty") is subject to all terms set forth herein below.

- 1. WARRANTY SERVICE (PARTS, LABOR AND/OR REPLACEMENT):** During the Warranty Periods set forth above, if the parts or components covered by each respective Warranty Period are determined by Tytus or a Tytus authorized customer service provider to be defective in material or workmanship, Tytus will, at its sole discretion and option: (i) repair the defective part or component at no charge to the original customer, (ii) replace the defective part or component with a new or refurbished part of similar or better quality, at no charge to the original customer, or (iii) refund the original, documented purchase price of the Product (excluding tax) to the original customer upon return of the defective Product as directed by Tytus. After the applicable Warranty Period, the customer must pay for all parts, shipping and handling, labor, and replacement costs associated with the Product or any part or component thereof, regardless of any defects in the Product or any part or component thereof.

- a. SHIPPING COSTS:** Notwithstanding the foregoing, the customer is responsible for any shipping or transportation charges incurred to ship or otherwise deliver the Product or part(s) to Tytus or a Tytus authorized service provider for



diagnosis, repair or replacement during or after the Warranty Periods. The customer shall not return the Product or any part or component thereof to Tytus without Tytus's prior written consent. Tytus recommends that the customer insure the Product or any part or component for its full replacement cost when shipping.

b. TIMING AND PROCEDURE: Before Warranty service can commence, the original customer purchaser must contact Tytus for problem determination and service procedures. Proof of purchase in the form of a bill of sale or receipted invoice, evidencing that the Product is within the Warranty Period, MUST be presented to a Tytus authorized customer service provider in order to obtain the requested service. Please call the Toll Free Customer Service Line at (952) 807-9690 to obtain Warranty Service and Troubleshooting information. Please have your model and serial number available, along with your date of purchase of the Product. You can also visit us online at: www.tytusgrills.com. The customer shall not return the Product or any part or component thereof to Tytus without Tytus's prior written consent.

2. EXCLUSIONS AND LIMITATIONS TO WARRANTY SERVICE: This Warranty covers manufacturing defects in materials and workmanship encountered in the normal, non-commercial use of the Product, and does not cover (a) damage or failure caused by or attributable to Product abuse or misuse, failure to follow instructions, improper installation or maintenance, alteration, accident, high cooking temperatures, outdoor humidity, outdoor temperature, chlorine, fertilizers, lawn pesticides, or chemical exposure; (b) improper or incorrectly performed repairs by non-authorized service facilities; (c) onsite customer instruction or adjustments, and any costs related to service calls to your home; (d) transportation, shipping, delivery, pickup, insurance, installation, or set-up costs; (e) costs of product removal, transportation, or reinstallation costs; (f) ordinary wear and tear, cosmetic damage, or damage due to acts of nature, including but not limited to, water, floods, wind, storm, tornado, earthquake, or fire, or due to damage caused by extraordinary impact events, such as dropping or crushing; (g) commercial use of the Product, or use of the Product for anything other than single-family household or residential use; (h) modification of the Product or any part of the Product; or (i) any food loss due to Product failure or difficulties in operating the Product.

This Warranty applies to the original customer only and does not cover Products sold AS IS or WITH ALL FAULTS. The Warranty is invalid if the factory-applied serial number has been altered or removed from the Product. This Warranty is valid only in the United States and Canada, and only applies to products purchased and serviced in the United States and Canada. All replaced parts and Products, and Products on which a refund is made, become the property of Tytus. The addition of equipment or features to the Product that are not manufactured or recommended by Tytus could affect the intended function of the Product, and therefore may void the Warranty. Furthermore, the exposure of the Product to chemicals, heat, cold, humidity, or other elements can affect the Product components, and therefore, the Warranty does not cover discoloration, fading, cosmetic changes, rust, or any damages or failure related to any such items. The Warranty is contingent upon the proper use, maintenance, and care of the Product. The Warranty may be void if the Product has been used in a manner contradictory to, or in violation of, the terms of the user's manual, warnings, or instructions accompanying the Product.

This Warranty is made in lieu of and supersedes all other warranties or conditions of merchantability or fitness for a particular purpose or general use, whether express, implied, collateral, statutory, or provided by common law, the Uniform Commercial Code, or otherwise. Tytus further disclaims all warranties after the end of the Warranty Period defined above. No other express warranty or guaranty given by any other person, firm, or entity with respect to the Product shall be binding on Tytus. Repair, replacement, or refund of the original purchase price, at Tytus's sole discretion, are the exclusive remedies of the customer. Tytus shall not be liable for any incidental or consequential damages caused by the use, misuse or inability to use the Product. These include but are not limited to any damages in the form of lost profits, loss of use, legal fees, economic loss, personal injuries, or any other damages caused by circumstances beyond the control of Tytus. Notwithstanding the foregoing, Tytus' aggregate liability to any customer shall not exceed the purchase price of the Product. This Warranty shall not extend to anyone other than the original customer who purchased the Product, and is not transferable. No person is authorized to alter, extend, or waive the Warranty of Tytus.

Some states do not allow the exclusion or limitation of incidental or consequential damages, or allow limitations on warranties, so the above limitations or exclusions may not apply to you. This Warranty gives you specific rights, and you may have other rights, which vary from state to state. The exclusions and limitations to the Warranty apply to the maximum extent permitted by law and unless restricted or prohibited by law. Where any term of this Warranty is prohibited by applicable law, it shall be null and void, but the remainder of this Warranty shall remain in effect.

PLEASE DIRECT ALL CORRESPONDENCE TO:

TYTUS Grills, LLC
support@tytusgrills.com | 855-969-5185 | www.tytusgrills.com

**PLEASE CONTACT CUSTOMER SERVICE TO CONFIRM PRODUCT
RETURN ADDRESS AND PROCEDURES FOR WARRANTY.**



TYTUS and TYTUS Grills are trademarks of TYTUS Grills, LLC.
© 2024 TYTUS Grills, LLC. Designed in the USA. Made in China.
Distributed by TYTUS Grills, LLC, Edina, MN.