

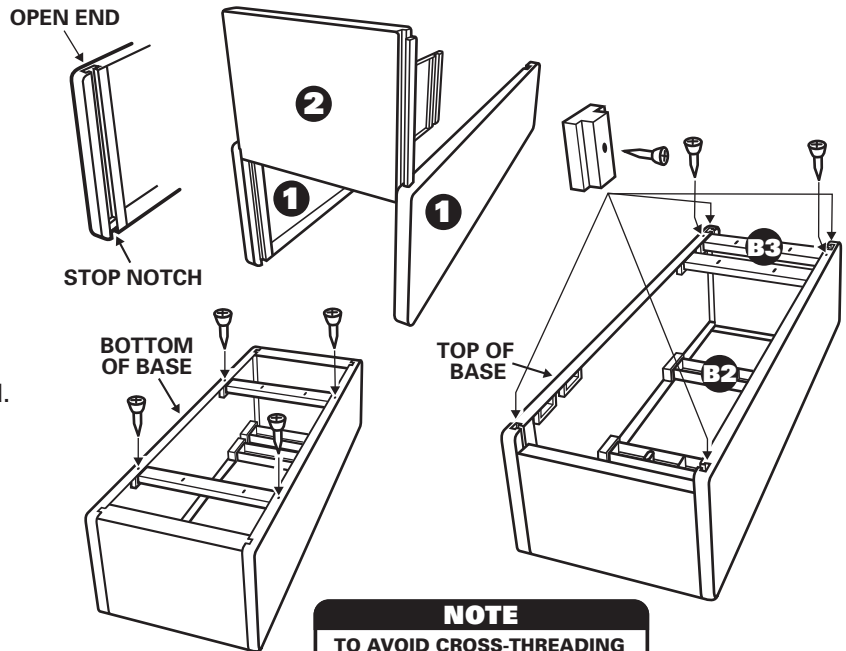
MODEL NO'S.

- WD521-1 • WD707-1 • WD1031-1
- WD620-1 • WD807-1 • WD1033-1
- WD703-1 • WD1029-1

- Phillips head screwdriver is only tool required

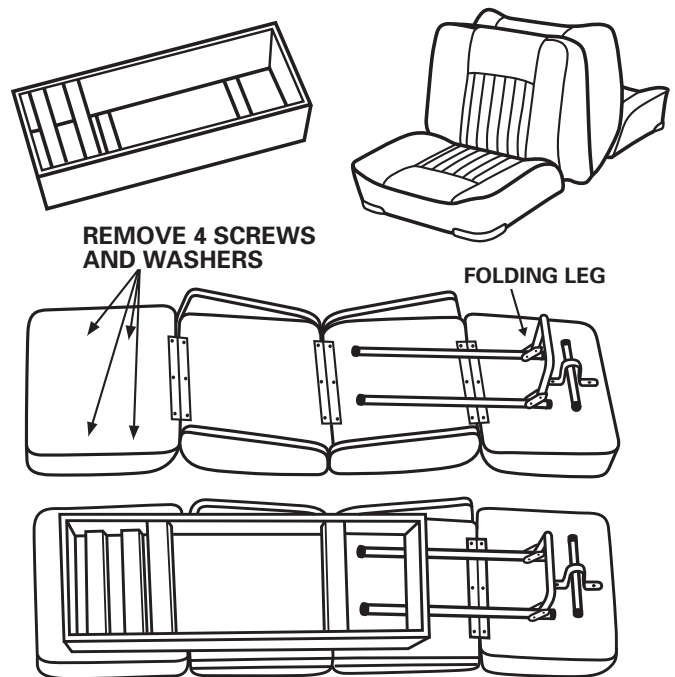
BASE ASSEMBLY

- A** • Set up side panels **1** parallel to each other.
NOTE: Open end up, stop notch on bottom.
- Slide front panel **2** into notch on both side panels simultaneously. **NOTE:** Just do one end.
- B** • Working toward open end, from front panel, insert black spacer bars into one side panel, two on bottom **B2**, one on top. **B3**
- Insert other end of black spacer bars into opposite side panel.
 - Squeeze side panels together snugly
 - Slide other front panel into open end
- C** • Slide screw holding blocks into remaining space of front panel's insertion slots.
- Insert screws into pre-drilled holes in holding blocks and screw through block into side panel.
 - Secure black spacer bar by screwing through pre-drilled holes on top of side panels.
 - Carefully turn the lounge over and secure black spacer bars through pre-drilled holes in bottom of side panels



ONE WAY OPENING LOUNGE ASSEMBLY

- Lay the lounge cushions out fully extended, with the cushion side down.
- On the end of the lounge cushions opposite the aluminum leg, remove the 2 screws & washers.
- Top of the base has a cross section with two holes.
- Line up the two holes with the two threaded holes in the back of the lounge cushion.
- Place the 2-1/4" x 2-1/4" screws and washers through the base into the threaded holes in the lounge cushion.
- Finger tighten until you get the bolts started. Finish tightening the four screws until you have a snug fit. This will complete all necessary assembly.
- Carefully turn the completed lounge over until the base is supporting the cushions. You will then be able to fold the lounge cushions into the base in it's upright position.
- The lounge is now ready for installation in the boat.



**Questions? Missing Parts?
Call 1.800.334.6541**

Above items are not manufactured
for commercial use.